

Medina

Design: Barovier & Toso



Description

A shapely suspension lamp with generous dimensions whose design recalls somehow Botero's drawings. The metal neck and the oversize shade are distinctive of this object. UL listed lighting. Made in Italy.

Dimensions

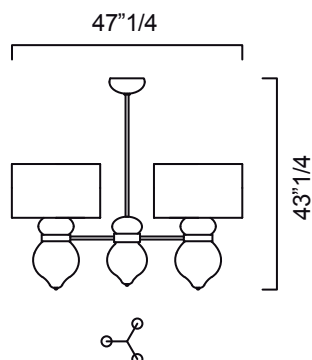
A) Ø47"1/4 x 43"1/4H - Cod. 5684-03
3 E26 x 100W - Dimmable - Not included

B) Ø59" x 43"1/4H - Cod. 5684-05
5 E26 x 100W - Dimmable - Not included

Finishes and materials

Structure: Murano Venetian Crystal and Metal.
Shades: Cotton.

A) 3 arms



B) 5 arms

