

Amet

Design: Emanuele Missaglia



Description

Office armchair with wooden structure and padded seat and back with different density layers, covered in fabric or leather. An optional layer covered in fabric or leather with quilted finish can be added on the external back. Height adjustable 4-spoke base with wheels or raised swivel base with 4 spokes, available in various metallic finishes. Made in Italy.



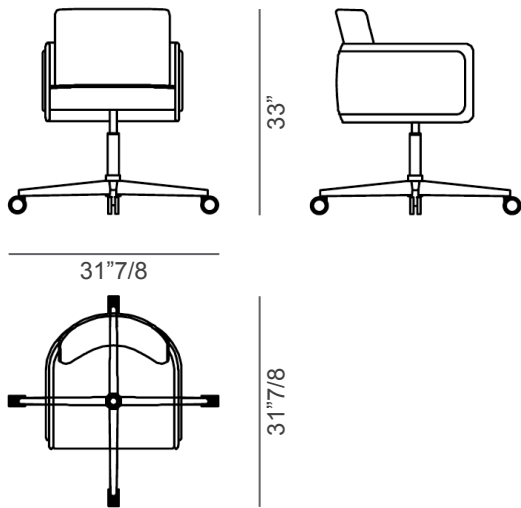
* For more specifications, please refer to the "Finishes & Materials" PDF

Amet

Dimensions

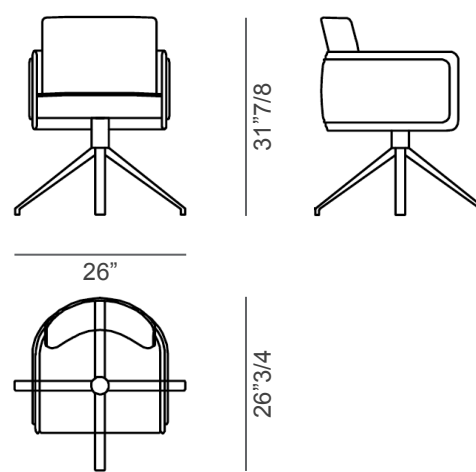
4-spoke height adjustable base

31"7/8W x 31"7/8D x 33"H



4-spoke raised swivel base

26"W x 26"3/4D x 31"7/8H



* For more specifications, please refer to the "Finishes & Materials" PDF