

Minerva

Design: Emanuele Missaglia



Description

Executive and office armchair with external shell and wheeled metal base painted in satin metallic finishes. Adjustable in height. Internal seat and backrest and armrests' upholstery available in leathers as per collection. Made in Italy.

Dimensions

High: 31"W x 24"3/4D x 45"5/8 to 50"H

Low: 31"W x 24"3/4D x 38"1/8 - 42"1/2H

Seat height: 20" to 24"3/8



Minerva

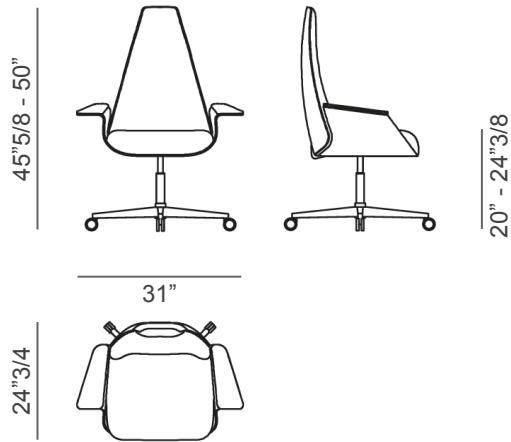
Dimensions

High: 31"W x 24"3/4D x 45"5/8 to 50"H

Low: 31"W x 24"3/4D x 38"1/8 - 42"1/2H

Seat height: 20" to 24"3/8

High



Low

