

Kelly

Design: Lievore Altherr Molina

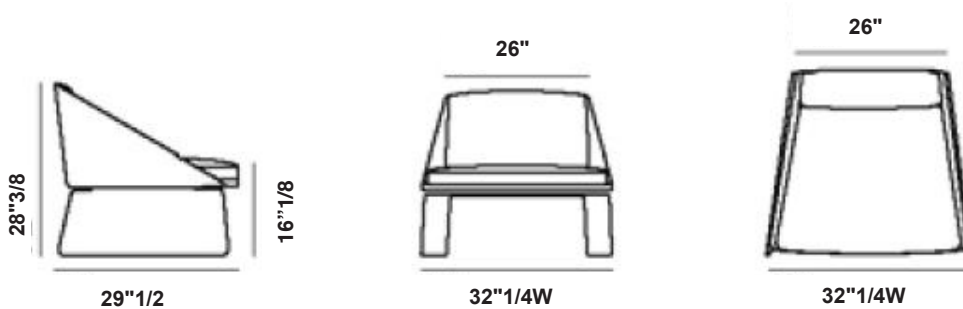


Description

Lounge chair with fully removable cover.
Framework: Cold-moulded toamed polyurethane with metal insert, sprung with elastic bands.
Under covering in Veltodera lining.
Base in metal with chrome finishing.

Dimensions

32"1/4W x 29"1/2D x 28"3/8H - **Seat Height** 16"1/8H



Finishes and materials

Frame: Metal with chrome finish.

Framework: Cold-moulded toamed polyurethane with metal insert, sprung with elastic bands.
Under covering in Veltodera lining.

Fully Removable Cover.

(For more specifications, please refer to "Finishes & Materials")