

## P016

*Design: Presotto Studio*



### **Description**

Fixed table with a metal structure with aluminum legs and cross bars.

The tops can be made in Transparent Glass or Transparent Hammered Glass.

The legs are made from varnished metal in Black Epoxy, Metal Standard, Chrome, or Glossy Black Nickel.

The leg is a symmetrical pair with full sections and from oval-shaped extruded aluminum which acts as a link between the cast parts.

Made in Italy.

Transparent or hammered glass tops with a thickness of 5/8".



MDF tops thk. 1", wood veneered, bordered and rounded on four sides or in matt lacquered, glossy marble effect.



Under tops made of 3/8" thick glass coupled with a 1/4" thick ceramic top.



**P016**

## Dimensions

**With shaped top:**

A) 78"3/4W x 31"1/2D x 29"1/2H

B) 94"1/2W x 39"3/8D x 29"1/2H

C) 110"1/4W x 43"3/8D x 29"1/2H

**With square top:**

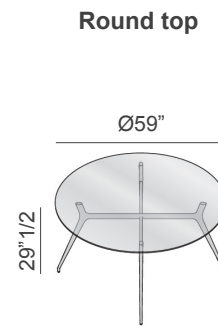
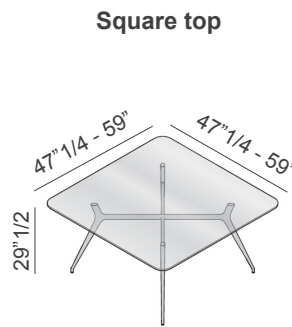
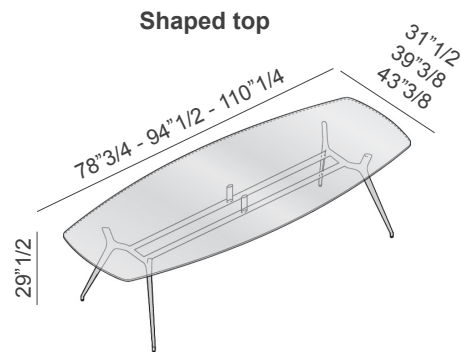
D) 47"1/4W x 47"1/4D x 29"1/2H

E) 59"W x 59"D x 29"1/2H

**With round top:**

F) Ø59" x 29"1/2H

**WITH GLASS TOP**



**WITH MATT LACQUERED, WOOD, CERAMIC OR GLOSSY MARBLE EFFECT TOP**

