

Archimede

Design: Riccardo Lucatello



Description

Fixed dining table. One or two legs covered in leather Naturale or Nabuk. Metal support and plinth in Bronze, brass, dark brass or titanium finish. Square-round top in Marmoreflex/Legnoreflex, Wing edge. Made in Italy.

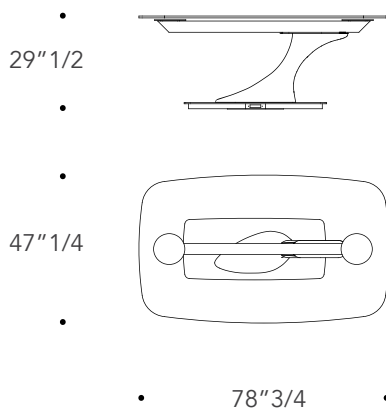


Archimede

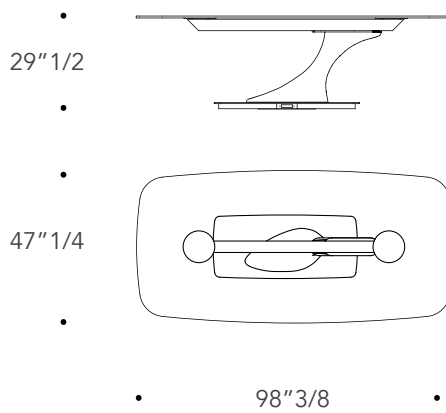
Dimensions

- A: 78"3/4W x 47"1/4D x 29"1/2H - 1 leg
- B: 98"3/8W x 47"1/4D x 29"1/2H - 1 leg
- C: 118"1/8W x 47"1/4D x 29"1/2H - 2 legs
- D: 133"7/8W x 47"1/4D x 29"1/2H - 2 legs

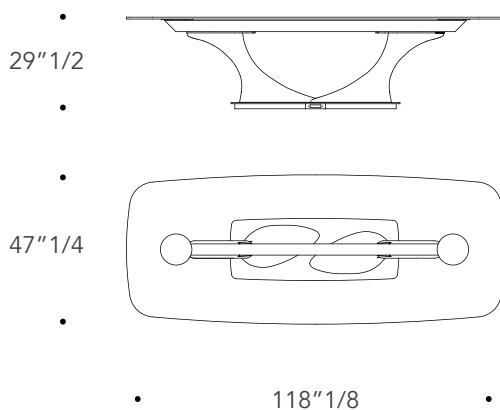
A



B



C



D

