

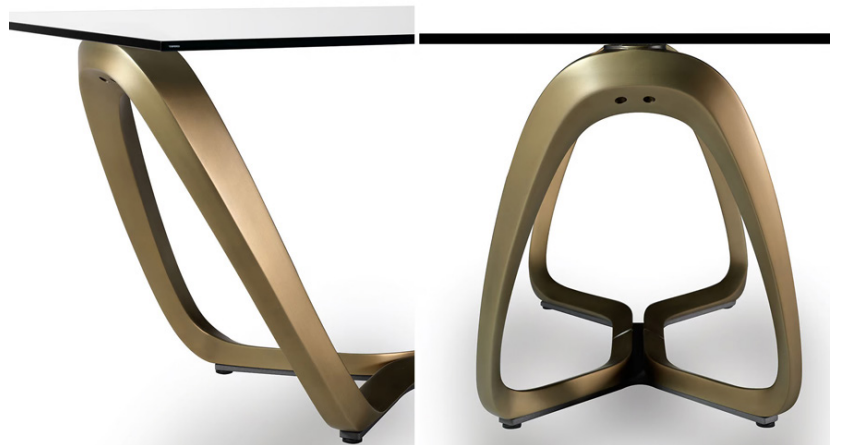
Segno

Design: Pininfarina



Description

Dining table with base in composite material with metal support in Bronze finish. Rectangular or Square-round top available in 5/8" thick transparent or extra-clear tempered glass with polished edges. Also available in Marmoreflex/Legnoreflect, Wing edge. Various sizes available. Made in Italy.



Segno

Dimensions

Rectangular

A: 78"3/4W x 47"1/4D x 29"1/2H

B: 98"3/8W x 47"1/4D x 29"1/2H

C: 118"1/8W x 47"1/4D x 29"1/2H

Square-round

D: 78"3/4W x 47"1/4D x 29"1/2H

E: 98"3/8W x 47"1/4D x 29"1/2H

F: 118"1/8W x 47"1/4D x 29"1/2H

TOP IN GLASS, MARMOREFLEX AND LEGNOREFLEX

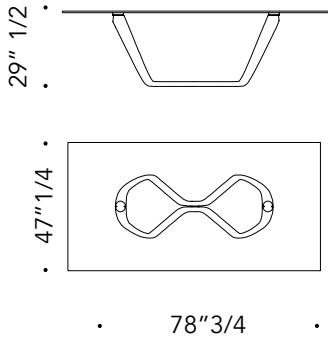


5/8" thick
Polished edges

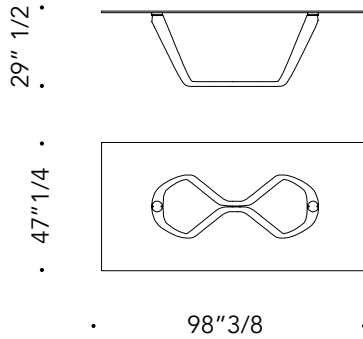


5/8" thick
Wing edge

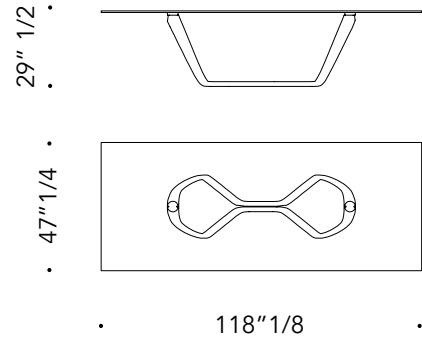
A



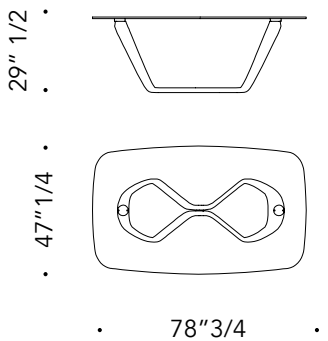
B



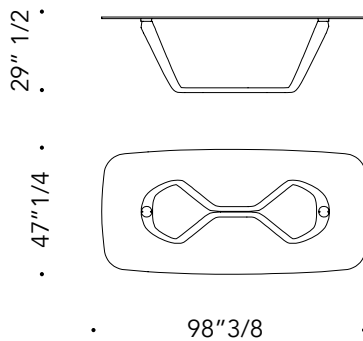
C



D



E



F

