

Key West

Design: Gian Vittorio Plazzogna & Roberto Papparotto



Description

Sectionals composed by:

- A) Three seater sofa + lounger.
- B) Two seater sofa (Qty. 2) + corner element.
- C) Two seater sofa + corner element + three seater sofa.
- D) Three seater sofa (Qty. 2) + corner element.
- E) Lounger + two seater sofa + corner element + three seater sofa.

All this units are made of aluminum frame powder coated woven with Sunrope.

Finishes and materials

Frame: Aluminum frame powder coated.

Seat, Backrest and Armrest: Woven.

Cushion set cover: Fabric.

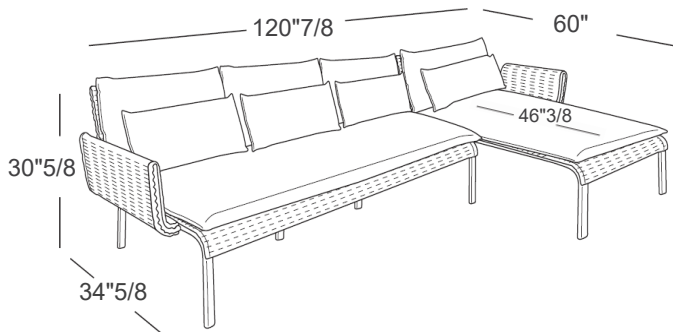
Key West

Compositions

Composition A:

120"7/8W x 60"D x 30"5/8H

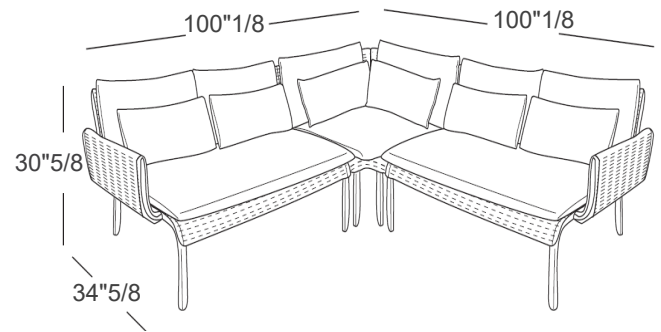
Seat Height: 13" + 3"1/8 of Seat Cushion



Composition B:

100"1/8W x 100"1/8D x 30"5/8H

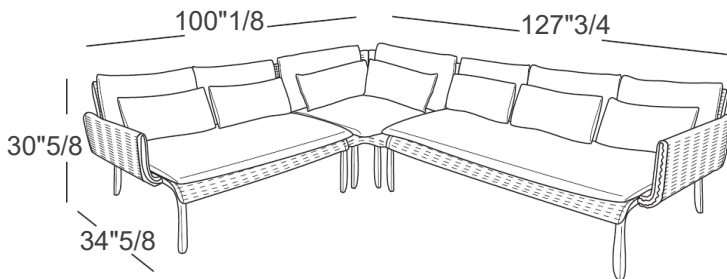
Seat Height: 13" + 3"1/8 of Seat Cushion



Composition C:

100"1/8W x 127"3/4D x 30"5/8H

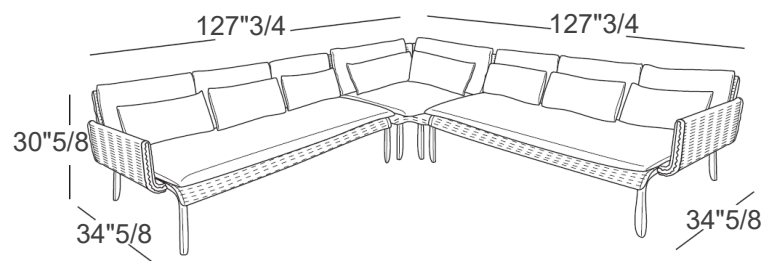
Seat Height: 13" + 3"1/8 of Seat Cushion



Composition D:

127"3/4W x 127"3/4D x 30"5/8H

Seat Height: 13" + 3"1/8 of Seat Cushion



Composition E:

127"3/4W x 127"3/4 x 30"5/8H

Seat Height: 13" + 3"1/8 of Seat Cushion

