

Aliante

Design: Sergio Bicego



Description

Sofa with structure made in wood with elastic straps and metal supports. The removable upholstery is available in fabric or leather and the feet, with square profile and with tips in plastic material, is offered in matt painted metal.

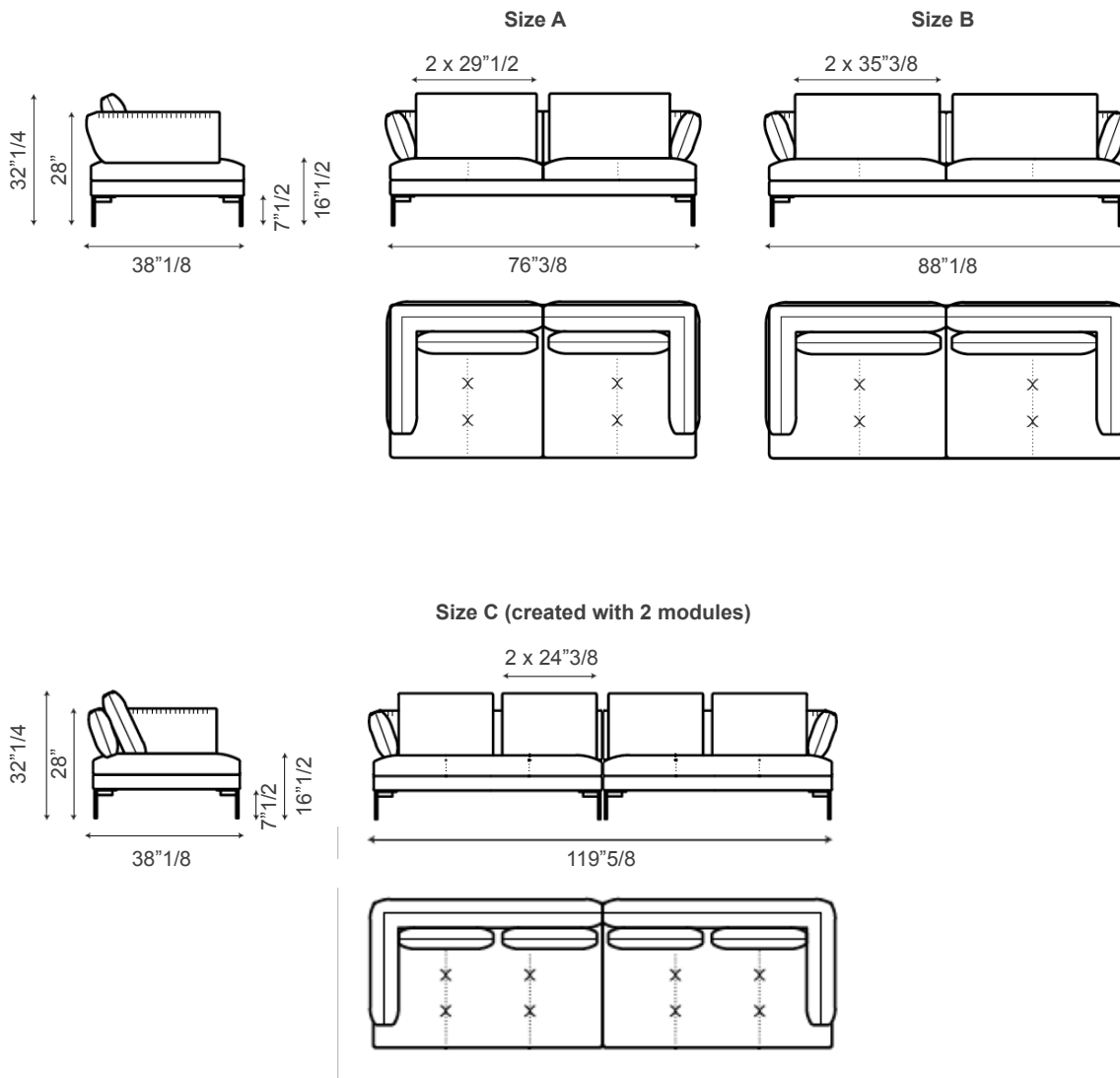
Seat and backrest are padded in variable density polyurethane foam; lining in bonded velveteen - polyester fiber. Seat cushions are padded in shaped variable density polyurethane foam; lining in bonded velveteen - polyester fiber and back cushions are padded in mixed down (50% down, 50% polyester fiber) in 100% cotton featherproof fabric. Also, to optimize the individual needs of comfort, different sizes of ottomans are available upon request. Made in Italy.

Aliante

Dimensions

- A) 76"3/8W x 38"1/8D x 32"1/4H
- B) 88"1/8W x 38"1/8D x 32"1/4H
- C) 119"5/8W x 38"1/8D x 32"1/4H
(created with 2 modules)

Seat height: 16"1/2
 Armrest height: 28"
 Feet height: 7"1/2



Aliante

Optionals

Ottoman:

Rectangular: 59"W x 37"3/8D x 16"1/2H

Square: 37"3/8W x 37"3/8D x 16"1/2H

