

Blend

Design: Giuseppe Viganò



Description

Sectional with structure in wood for the seat and in metal for the backrest, the connection between the elements is by means of a fork mechanism. Seat lining in bonded velveteen - polyurethane foam. Backrest in emery leather and removable upholstery in fabric.

The seat cushions are padded in shaped variable density polyurethane foam; lining in bonded cotton fabric - polyester fiber, while the back cushions are padded in shaped variable density polyurethane foam and silicone coated polyester fiber; lining in bonded cotton fabric - polyester fiber. The feet is made with rectangular sheet in matt painted metal, with tips in plastic material.

The linearity of the perimeter structure covered in emery leather balances and adds value to the upholstered part, creating a rigorous line that widens upwards from the bottom, merging with a sinuous and welcoming curve that leads back inwards. Also, to optimize the individual needs of comfort a square ottoman is available upon request. Made in Italy.

- 1. Cover:** Fabric.
- 2. Backrest:** Emery leather.
- 3. Feet:** Metal / Plus metal / Special metal.



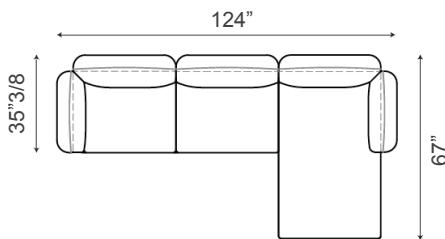
Blend

Compositions

Composition A

1 x F258 End section sofa sx
1 x EØ54 Chaise longue dx

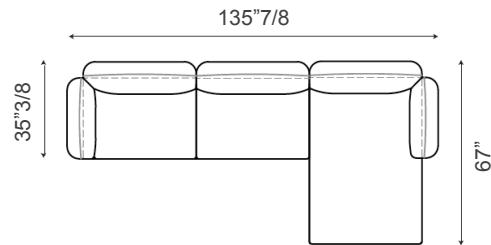
124"W x 67"D x 31"H



Composition B

1 x F256 End section sofa sx
1 x EØ52 Chaise longue dx

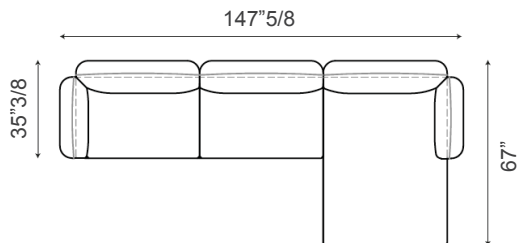
135"7/8W x 67"D x 31"H



Composition C

1 x F254 End section sofa sx
1 x EØ5Ø Chaise longue dx

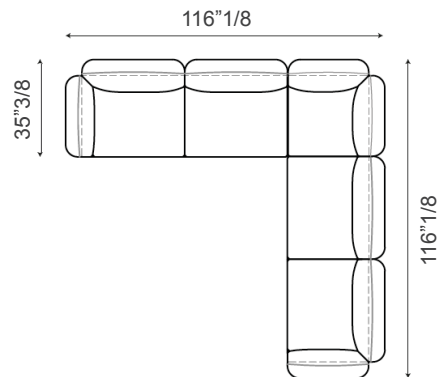
147"5/8W x 67"D x 31"H



Composition D

1 x F258 End section sofa sx
1 x F259 Corner
1 x F257 End section sofa dx

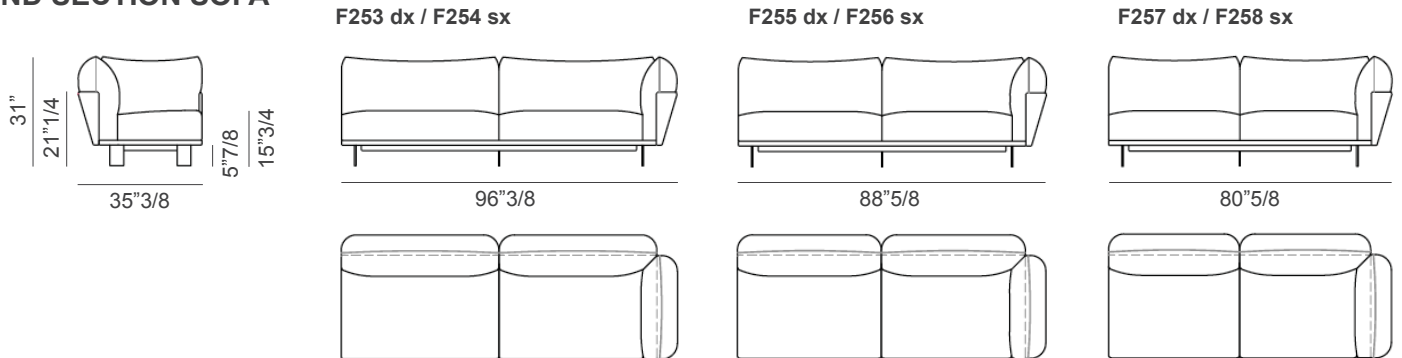
116"1/8W x 116"1/8D x 31"H



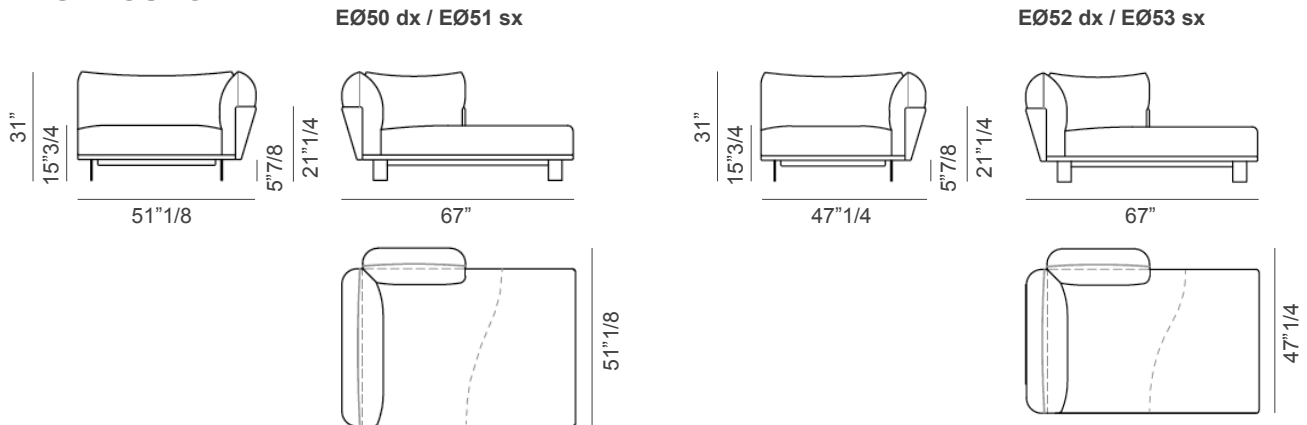
Blend

Elements

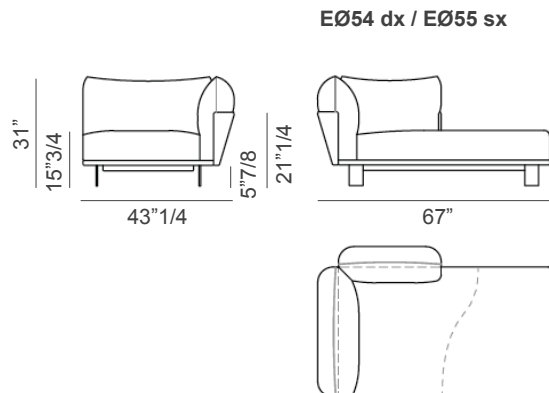
END SECTION SOFA



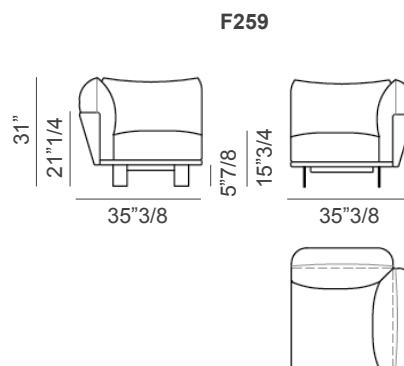
CHAISE LOUNGE



CHAISE LOUNGE



CORNER



OTTOMAN

