

Apeiron

Design: Riccardo Lucatello



Description

Dining table with iron base, available in various finishes. Rectangular or square-round top in glass with polished edges or in Marble Glass or Wood Glass with wing edges. Three different sizes available. Made in Italy.



Apeiron

Dimensions

Rectangular top

A: 78"3/4W x 39"3/8D x 29"1/8H

B: 98"3/8W x 47"1/4D x 29"1/8H

C: 118"1/8W x 47"1/4D x 29"1/8H

GLASS, MARBLE GLASS AND WOOD GLASS TOP

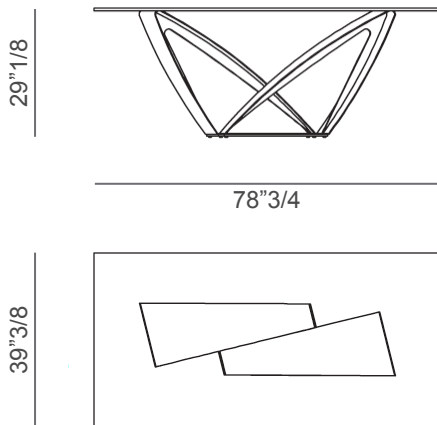


5/8" or 1/2" thick glass
Polished edges

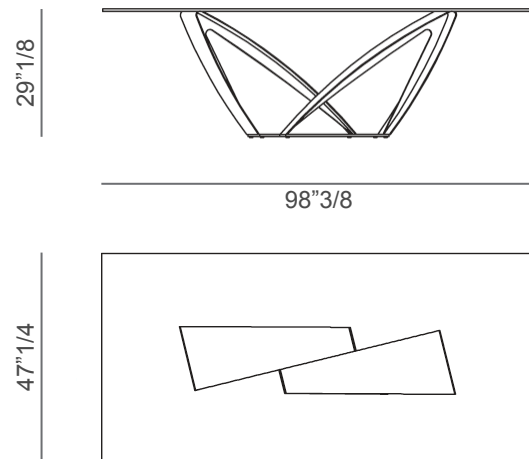


1/2" thick Marble Glass or
Wood Glass with wing edge

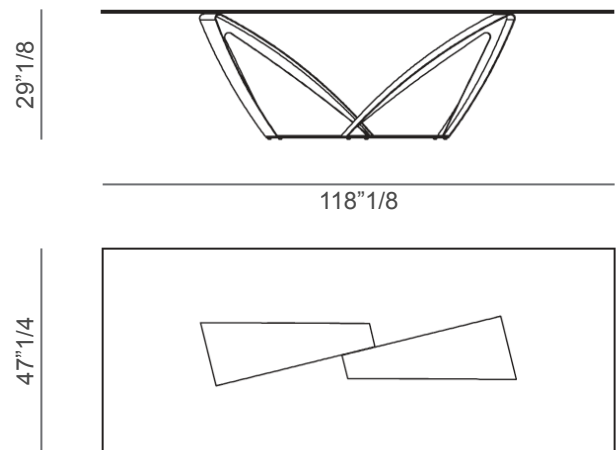
A



B



C



Apeiron

Dimensions

Square-round top

D: 78"3/4W x 39"3/8D x 29"1/8H

E: 98"3/8W x 47"1/4D x 29"1/8H

F: 118"1/8W x 47"1/4D x 29"1/8H

GLASS, MARBLE GLASS AND WOOD GLASS TOP

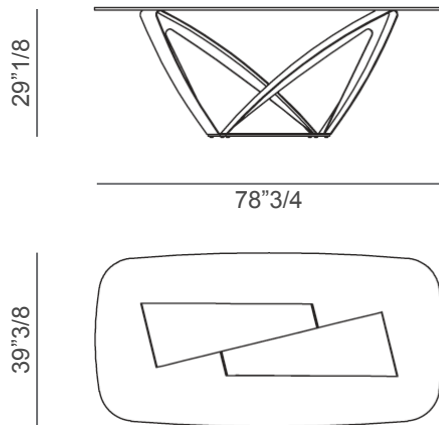


5/8" or 1/2" thick glass
Polished edges

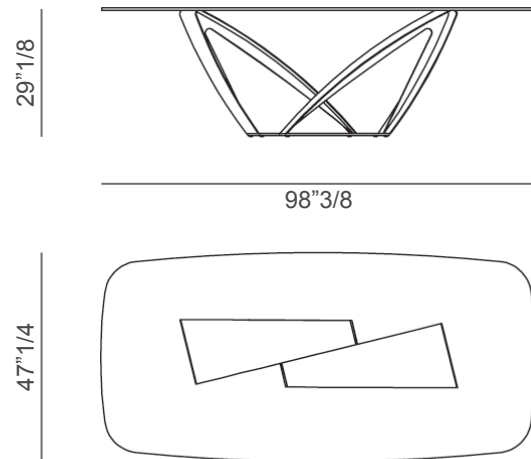


1/2" thick Marble Glass or
Wood Glass with wing edge

D



E



F

