

## Bamboo

*Design: Tulczinsky*



### *Description*

Dining table with base composed by Murano glass black-filigreed tubes, smoked mirror glass plinth and under-top in 5/8" thick extra-clear glass. Round or oval top in 5/8" thick extra-clear glass with 45° bevel or rectangular top in 5/8" thick extra-clear glass with polished edges. Made in Italy.



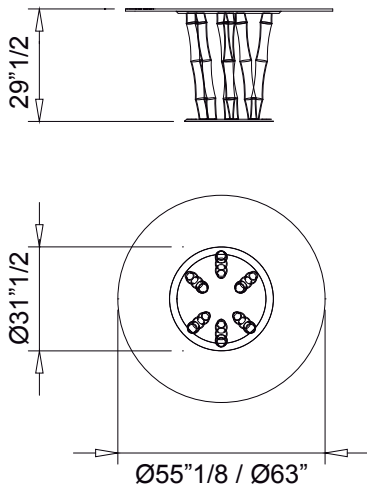
## Bamboo

### Dimensions

#### Round top

A:  $\text{Ø}55\frac{1}{8}$  x  $29\frac{1}{2}$ H

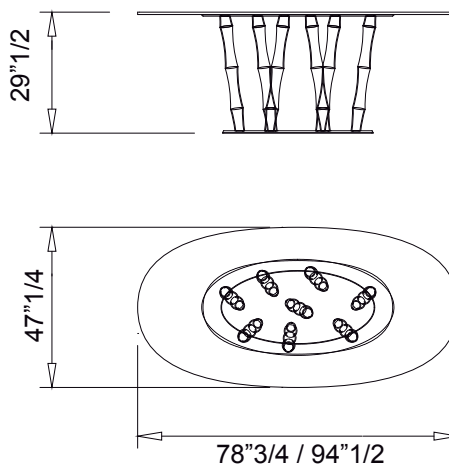
B:  $\text{Ø}63$  x  $29\frac{1}{2}$ H



#### Oval top

C:  $78\frac{3}{4}$ W x  $47\frac{1}{4}$ D x  $29\frac{1}{2}$ H

D:  $94\frac{1}{2}$ W x  $47\frac{1}{4}$ D x  $29\frac{1}{2}$ H



#### Rectangular top

E:  $78\frac{3}{4}$ W x  $39\frac{3}{8}$ D x  $29\frac{1}{2}$ H

F:  $98\frac{3}{8}$ W x  $47\frac{1}{4}$ D x  $29\frac{1}{2}$ H

