

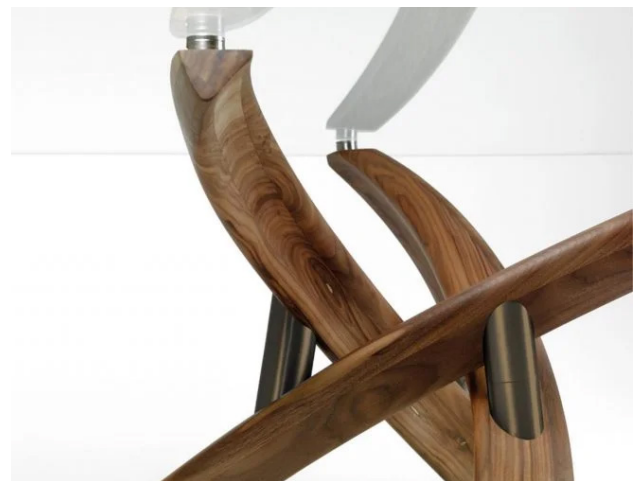
Fili d'Erba

Design: Tulczinsky



Description

Dining table with base composed of 3 legs in solid Canaletto Walnut or in Canaletto Héné, brass or dark brass lacquered finish. Metal connectors in brass finish. Round or oval 5/8" thick glass top with 45° bevel, rectangular 5/8" thick glass top with polished edges. Made in Italy.



Fili d'Erba

Dimensions

A: $\text{Ø}55''\frac{1}{8} \times 29''\frac{1}{8}\text{H}$

B: $\text{Ø}63'' \times 29''\frac{1}{8}\text{H}$

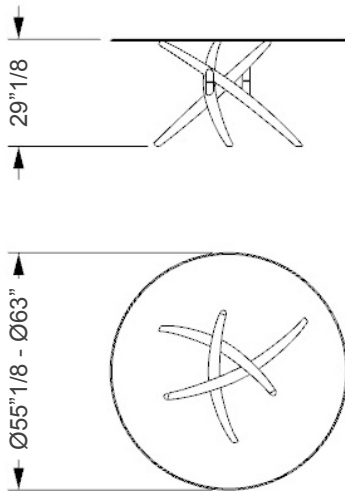
C: $78''\frac{3}{4}\text{W} \times 47''\frac{1}{4}\text{D} \times 29''\frac{1}{8}\text{H}$

D: $98''\frac{3}{8}\text{W} \times 47''\frac{1}{4}\text{D} \times 29''\frac{1}{8}\text{H}$

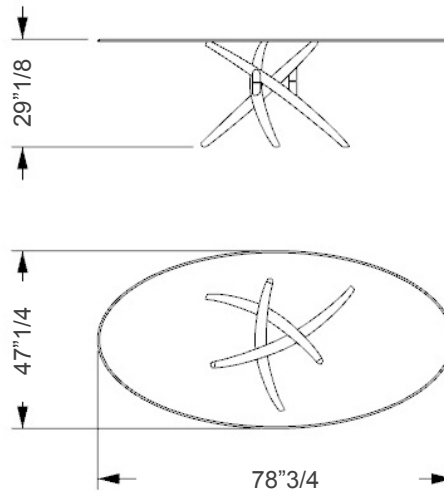
E: $118''\frac{1}{8}\text{W} \times 47''\frac{1}{4}\text{D} \times 29''\frac{1}{8}\text{H}$

F: $118''\frac{1}{8}\text{W} \times 47''\frac{1}{4}\text{D} \times 29''\frac{1}{8}\text{H}$

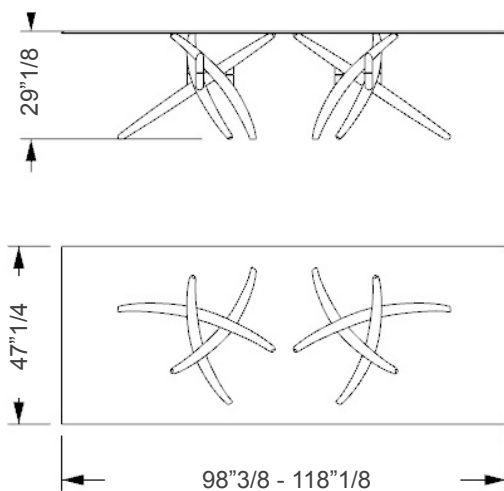
A, B



C



D, E



F

