

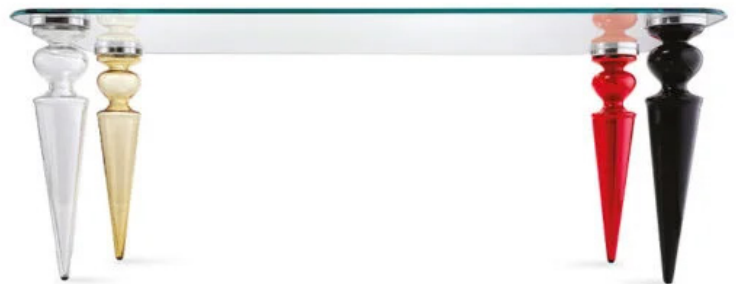
Gran Canal

Design: Riccardo Lucatello



Description

Dining table with legs in smooth transparent or colored Murano glass, or in ribbed Murano glass. Rectangular or square 5/8" thick glass top with polished edges. Oval or round glass top with 45° bevel. 5/8" thick extra-clear glass top with rounded corners 5"1/8 radius with 45° bevel. Made in Italy.



Gran Canal

Dimensions

Glass top 5/8" th. polished edges

Rectangular

A: 63"W x 39"3/8D x 29"1/8H

B: 70"7/8W x 39"3/8D x 29"1/8H

C: 78"3/4W x 39"3/8D x 29"1/8H

Square

D: 47"1/4W x 47"1/4D x 29"1/8H

E: 55"1/8W x 55"1/8D x 29"1/8H

Glass top 5/8" th. 45° bevel

Oval

F: 78"3/4W x 47"1/4D x 29"1/8H

Round

G: Ø47"1/4 x 29"1/8H

H: Ø55"1/8 x 29"1/8H

I: Ø63" x 29"1/8H

Extra-clear glass top 5/8" th. 45° bevel

Rectangular (rounded corners)

J: 70"7/8W x 39"3/8D x 29"1/8H

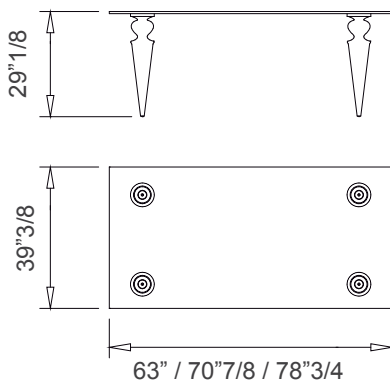
K: 78"3/4W x 39"3/8D x 29"1/8H

L: 86"5/8W x 39"3/8D x 29"1/8H

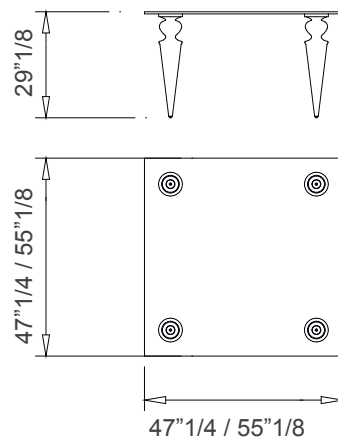
Square (rounded corners)

M: 55"1/8W x 55"1/8D x 29"1/8H

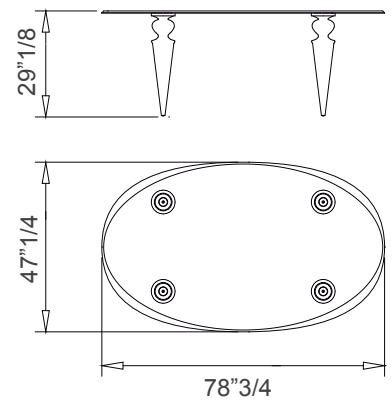
A, B, C



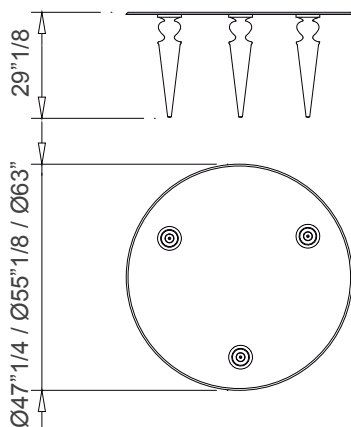
D, E



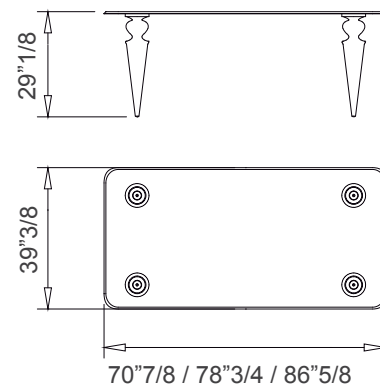
F



G, H, I



J, K, L



M

