

Prisma Steel

Design: Riccardo Lucatello



Description

Dining table with base composed of two elements in metal, bronze, satin brass, satin dark brass or satin titanium finish. Rectangular or square-round top in Canaletto Walnut or Canaletto Walnut Héné, bevel edge. Made in Italy.



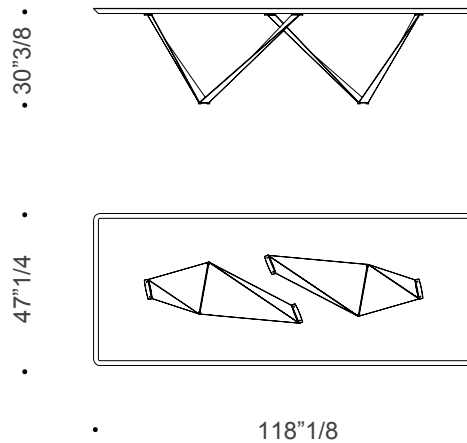
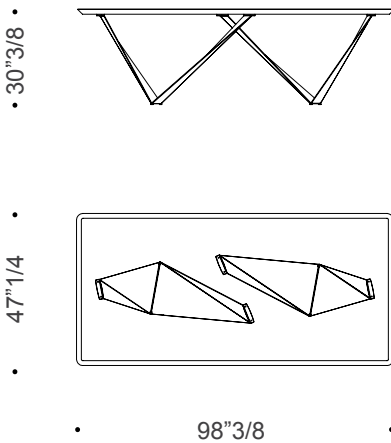
Prisma Steel

Dimensions

Rectangular top

A: 98"3/8W x 47"1/4D x 30"3/8H

B: 118"1/8W x 47"1/4D x 30"3/8H



Square-round top

C: 98"3/8W x 47"1/4D x 30"3/8H

D: 118"1/8W x 47"1/4D x 30"3/8H

