

# Prisma Steel

*Design: Riccardo Lucatello*



## *Description*

Dining table with base composed of two elements in metal, bronze, satin brass, satin dark brass or satin titanium finish. Rectangular or square-round 1"5/8 thick bevel wood top, in Bronze finish with cover in Marmoreflex or Legnoreflex. Made in Italy.



## Prisma Steel

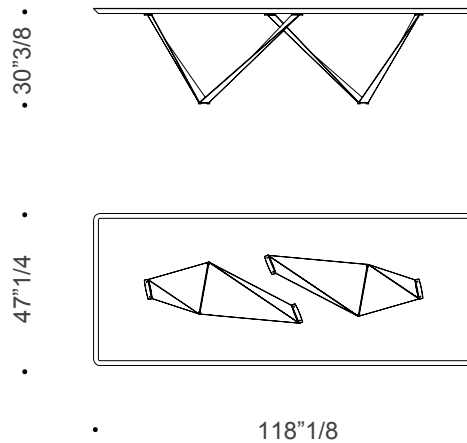
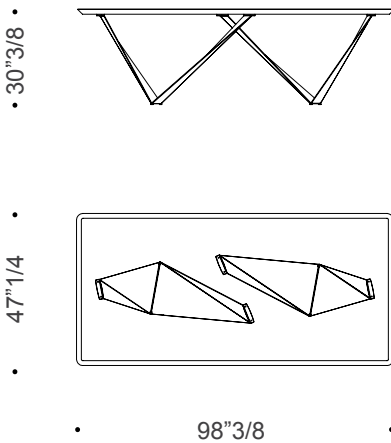
---

### Dimensions

#### Rectangular top

A: 98"3/8W x 47"1/4D x 30"3/8H

B: 118"1/8W x 47"1/4D x 30"3/8H



#### Square-round top

C: 98"3/8W x 47"1/4D x 30"3/8H

D: 118"1/8W x 47"1/4D x 30"3/8H

