

# Prisma Steel

*Design: Riccardo Lucatello*



## *Description*

Dining table with base composed of two elements in metal, bronze, satin brass, satin dark brass or satin titanium finish. Rectangular or square-round top in 5/8" thick tempered transparent or extra-clear glass with polished edges or in Marmoreflex/Legnoreflex with wing edge. Made in Italy.

## Prisma Steel

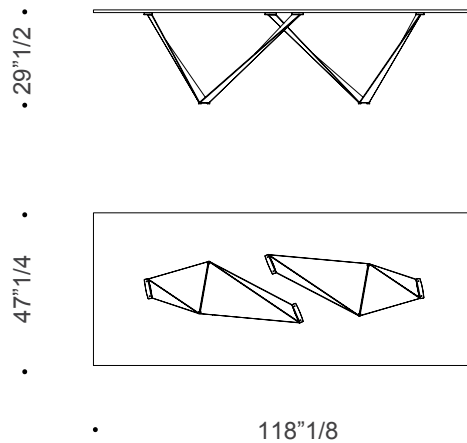
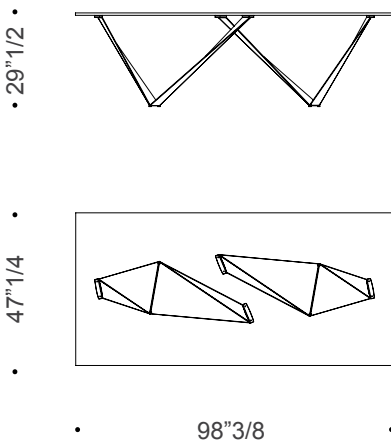
---

### Dimensions

#### Rectangular top

A: 98"3/8W x 47"1/4D x 29"1/2H

B: 118"1/8W x 47"1/4D x 29"1/2H



#### Square-round top

C: 98"3/8W x 47"1/4D x 29"1/2H

D: 118"1/8W x 47"1/4D x 29"1/2H

