

Quartz

Design: Riccardo Lucatello



Description

Dining table with metal base in Bronze, Satin Brass, Dark Brass or Titanium finish. Rectangular top available in 5/8" thick transparent or extra clear glass with polished edges or 1/2" thick Marble Glass or Wood Glass with wing edges. Octagonal top available in 5/8" thick extra clear glass with 1"3/8 bevel or in 5/8" thick transparent glass with 1"3/8 bevel, in Dark Brass finish. Made in Italy.



5/8" thick Glass
Polished edges



1/2" thick Marble Glass
Wing edge



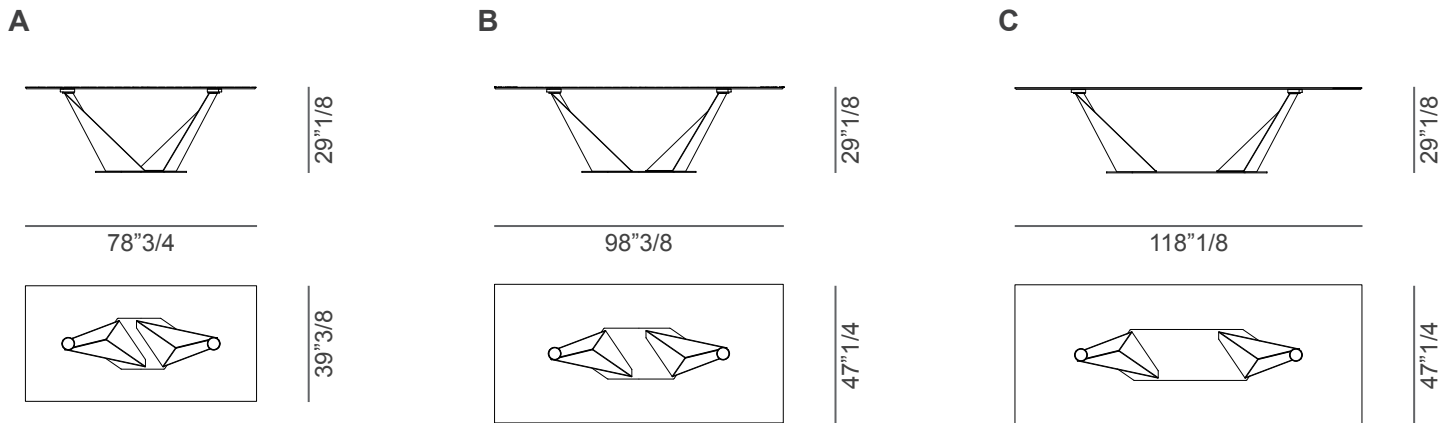
1/2" thick Wood Glass
Wing edge

Quartz

Dimensions

- A: 78"3/4W x 39"3/8D x 29"1/8H
- B: 98"3/8W x 47"1/4D x 29"1/8H
- C: 118"1/8W x 47"1/4D x 29"1/8H
- D: 98"3/8W x 47"1/4D x 29"1/8H
- E: 118"1/8W x 47"1/4D x 29"1/8H

Rectangular Top



Octagonal Top

