

Aperitivo

Design: Mauro Lipparini



Description

Aperitivo, it is an Italian thing. No other nation could make that after work, pre-meal drink and snack an event; and that is what it is, an event. A way to take stock of the day, to decompress, to relax and yet to converse. To share ideas, to enjoy the company of others or those of your thoughts. It is inherently Italian because it is what we do well, making moments, igniting conversations, discussing what's on the menu afterwards - socially and culinarily.

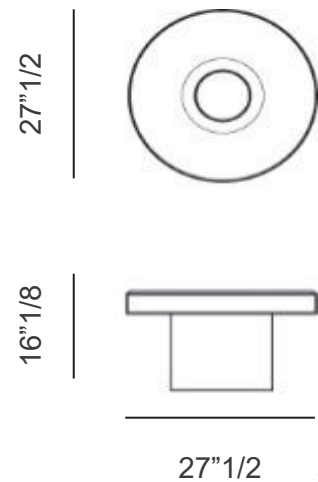
So how do we translate this into design? How do we symbolise through design our culture? Materials and forms which personify elegance. Mauro Lipparini goes even further. Marble tops, built-in ice buckets, swooping lines and form, function and practicality meeting high-end design. This is conversation, ideas and elegance, a culture and design in unison.

*

Dimensions

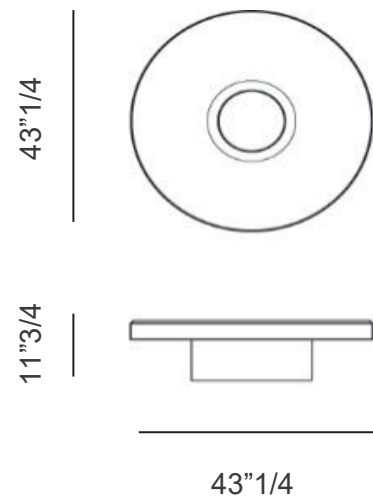
Size A:

Ø27"1/2 x 16"1/8H



Size B:

Ø43"1/4 x 11"3/4H



Finishes & materials

Structure: Metal.

Top: Marble.