

Scott Keramik Premium

Design: Studio 28 & Paolo Cattelan



Description

Dining table with base and frame in steel, varnished with epoxy powders. Shaped top in MDF with varnished edges and a 1/4" thick insert in laminated porcelain. Finishes as per collection. Matt or glossy Portoro finish porcelain is 1/8" thick. Suitable only for indoor use. Made in Italy.



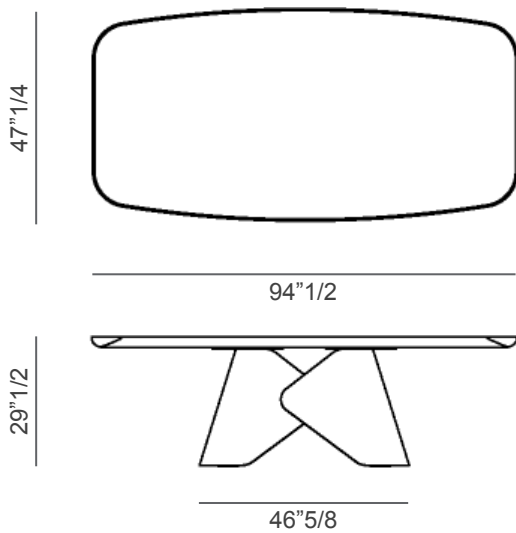
Scott Keramik Premium

Dimensions

A: 94"1/2W x 47"1/4D x 29"1/2H

B: 118"1/8W x 50"3/8D x 29"1/2H

A



B

