

# Scott Keramik

*Design: Studio 28*



## *Description*

Dining table with central base, consisting of two curved and overlapping metal plates, varnished with epoxy powders. Rectangular or shaped top in 1/2" thick transparent glass coupled with 1/4" thick laminated porcelain. Finishes as per collection. Matt or glossy Portoro finish porcelain is 1/8" thick. Suitable only for indoor use. Made in Italy.



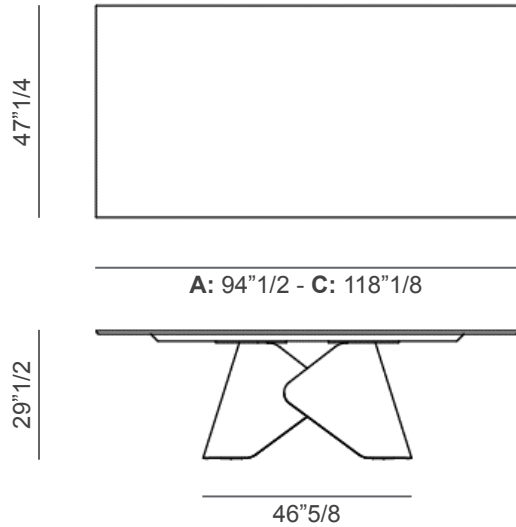
## Scott Keramik

---

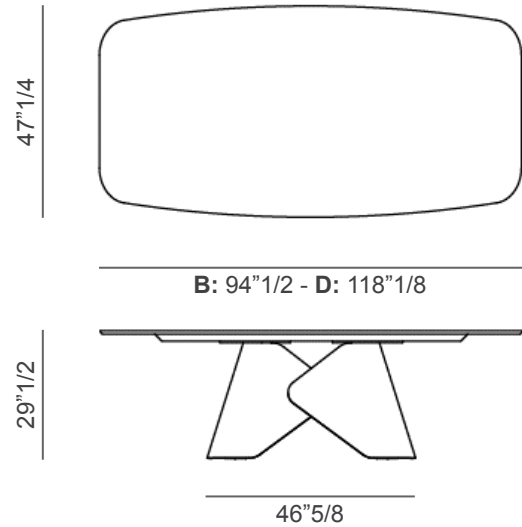
### Dimensions

- A: 94"1/2W x 47"1/4D x 29"1/2H - Rectangular top
- B: 94"1/2W x 47"1/4D x 29"1/2H - Shaped top
- C: 118"1/8W x 47"1/4D x 29"1/2H - Rectangular top
- D: 118"1/8W x 47"1/4D x 29"1/2H - Shaped top
- E: 126"W x 54"3/8D x 29"1/2H - Shaped top

A, C



B, D



E

