

# Varenne

*Design: Renato Guerra & Giorgio Cattelan*



## *Description*

Console with base and frame in steel, varnished with epoxy powders. Shaped top in wood veneered MDF. Finishes as per collection. Suitable only for indoor use. Wall anchorage is necessary. Made in Italy.



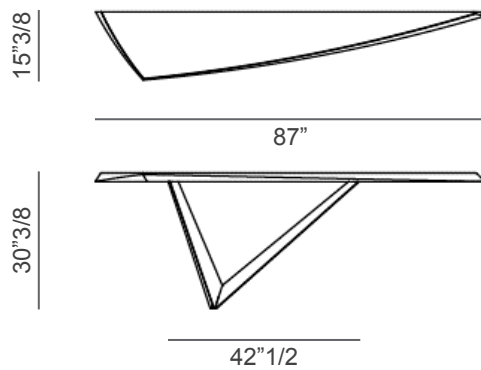
## Varenne

---

### *Dimensions*

87"W x 15"3/8D x 30"3/8H

**Left version**



**Right version**

