

# Calathea

*Design: Roberto Lazzeroni*



## *Description*

Guest armchair with a 5-point revolving base, gas spring for height regulation and a fixed and tilting mechanism. The upholstery is available in leather in one colour or in two colours with the external part in leather and the internal one in fabric, the internal part in fabric or leather can be with or without quilting, with or without insert. The cover is not removable in any of the variants. Made in Italy

## *Finishes & Materials*

**Cover:** Fabric or Leather

**Base:** Wood

### **Two Tones Version**

**External Cover:** Leather

**Seat and Internal Cover:** Fabric or Leather

### **Inserts Versions**

**Cover (1):** Leather

**Inserts (2,3):** Fabric or Leather



## Calathea

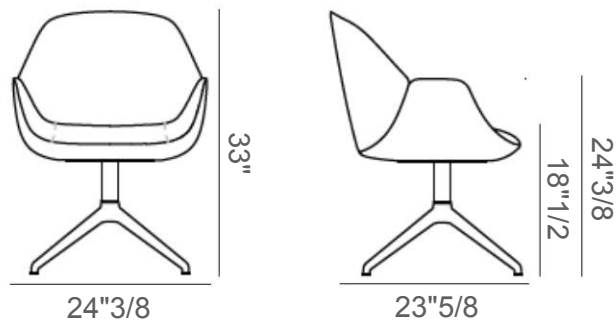
### Dimensions

24"3/8W x 23"5/8D x 33"H

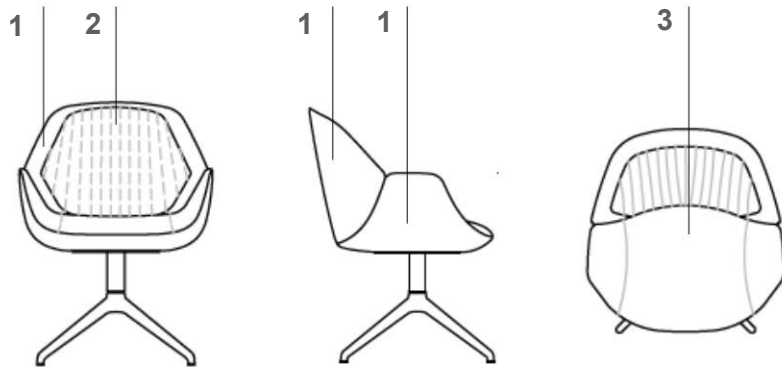
Seat Height: 18"1/2

Arm Height: 24"3/8

One & Two Tones Version



With Quilted Insert Version



With Insert Version

