

# Luppiter

*Design: Marco Zito*



## *Description*

Painted metal frame with metal lampshade and sphere available in metal or Alabaster. LED lighting.

A modular synthesis of geometric elements of different materials and finishes, Luppiter shines out in spaces of all sizes like a precious jewel suspended amidst refinement and harmony. Made in Italy.

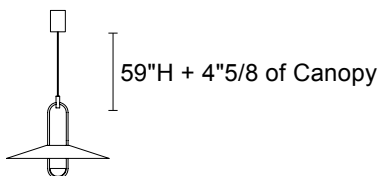
## *Finishes & Materials*

**Structure:** Painted metal.

**Lampshade:** Metal

**Sphere:** Metal or rock

### STANDARD CABLES



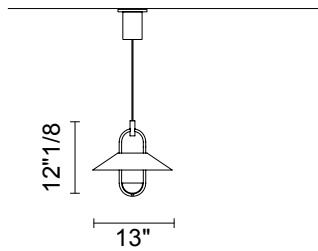
## Luppiter

### Dimensions

#### Luppiter S1 P 33

Ø13" x 12"1/8H

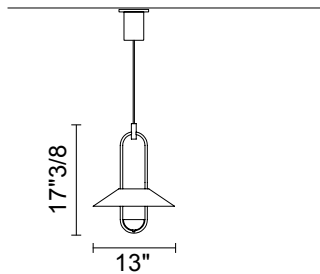
UP 1,1 W CRI>90  
3000 K - 140 NOMINAL LM  
DOWN 10,5 W CRI>90  
3000 K - 1400 NOMINAL LM



#### Luppiter S1 M 33

Ø13" x 17"3/8H

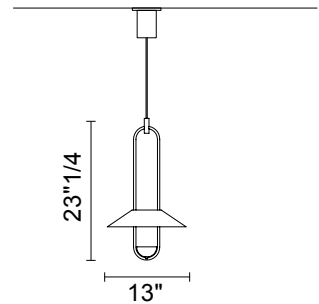
UP 1,1 W CRI>90  
3000 K - 140 NOMINAL LM  
DOWN 10,5 W CRI>90  
3000 K - 1400 NOMINAL LM



#### Luppiter S1 G 33

Ø13" x 23"1/4H

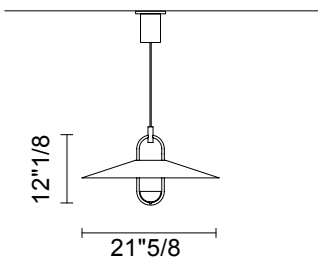
UP 1,1 W CRI>90  
3000 K - 140 NOMINAL LM  
DOWN 10,5 W CRI>90  
3000 K - 1400 NOMINAL LM



#### Luppiter S1 P 55

Ø21"5/8 x 12"1/8H

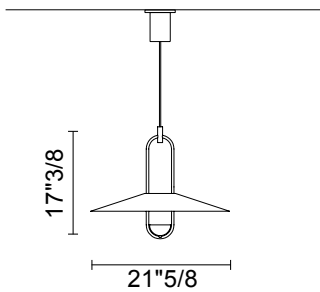
UP 1,1 W CRI>90  
3000 K - 140 NOMINAL LM  
DOWN 10,5 W CRI>90  
3000 K - 1400 NOMINAL LM



#### Luppiter S1 M 55

Ø21"5/8 x 17"3/8H

UP 1,1 W CRI>90  
3000 K - 140 NOMINAL LM  
DOWN 10,5 W CRI>90  
3000 K - 1400 NOMINAL LM



#### Luppiter S1 G 55

Ø21"5/8 x 23"1/4H

UP 1,1 W CRI>90  
3000 K - 140 NOMINAL LM  
DOWN 10,5 W CRI>90  
3000 K - 1400 NOMINAL LM

