

Luppiter

Design: Marco Zito



Description

Painted metal frame with metal lampshade and sphere available in metal or Alabaster. LED lighting.

A modular synthesis of geometric elements of different materials and finishes, Luppiter shines out in spaces of all sizes like a precious jewel suspended amidst refinement and harmony. Made in Italy.

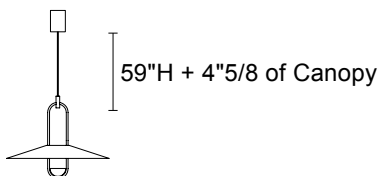
Finishes & Materials

Structure: Painted metal.

Lampshade: Metal

Sphere: Metal or rock

STANDARD CABLES



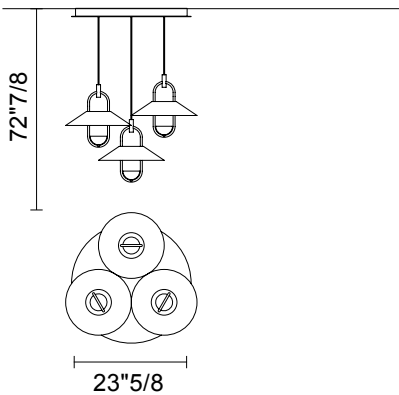
Luppiter

Dimensions

Luppiter C3 RD 60

Ø23"5/8 x 72"7/8H

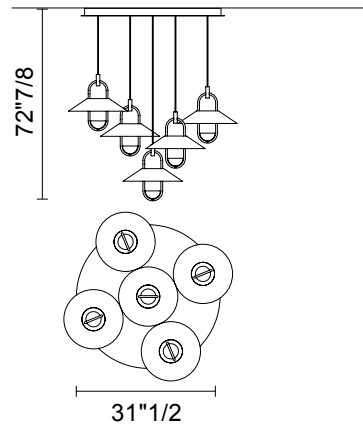
40,8 W CRI>90
3000 K – 5337 NOMINAL LM



Luppiter C5 RD 80

Ø31"1/2 x 72"7/8H

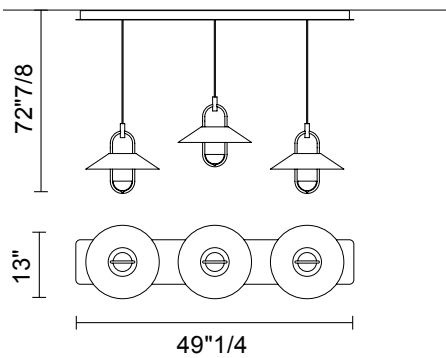
68 W CRI>90
3000 K – 8895 NOMINAL LM



Luppiter C3 LN 125

49"1/4W x 13"D x 72"7/8H

40,8 W CRI>90
3000 K – 5337 NOMINAL LM



Luppiter C5 LN 175

68"7/8W x 13"D x 72"7/8H

68 W CRI>90
3000 K – 8895 NOMINAL LM

