

Gems

Design: Francesca Lanzavecchia



Description

Suspension lamp with four different glass shade colors and structure in acid-etched white. Made in Italy.

78"3/4 Cable.

Light source

Size A, B & C:

9W + 10W 2700K - 3000K

Size D, E, F, G, H & I:

9W + 5W 2700K - 3000K

Dimmable 0-10V

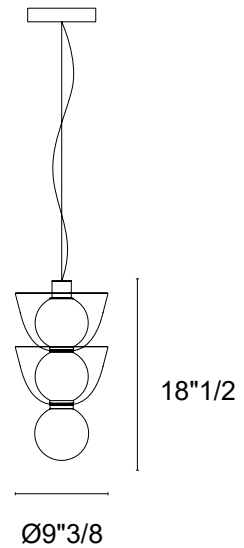
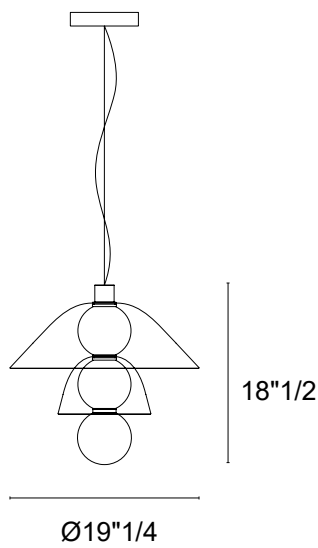
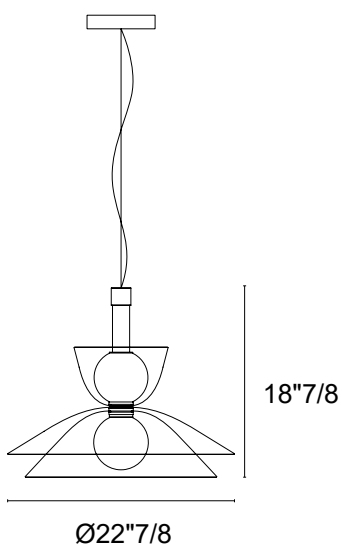
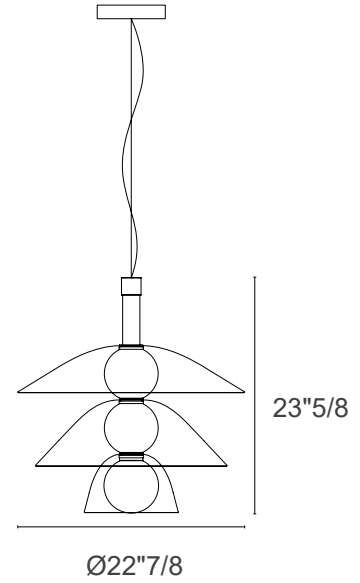
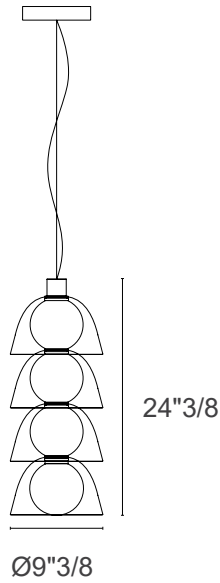
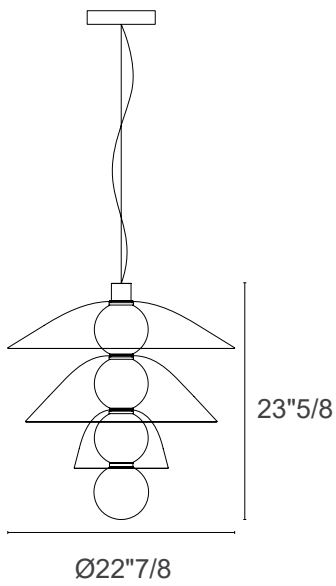
Finishes and materials

Structure: Acid-etched white.

Shade: Cold color, cold neutral, warm color, warm neutral.

Gems

Dimensions



Gems

