

Siena

Design: Andrea Lucatello



Description

Double bed with wood and metal structure upholstered in fabric or leather.

The headboard is elegantly finished with two cushions that provide extra comfort in the sitting position, while the slanted feet, in a Metal Standard Pewter finish, give the structure a touch of modern lightness.

The versatility of the Siena bed can be seen in two options: the integration of two wall-mounted optional bedside tables with glass tops, or a more minimalist solution such as optional rounded shelves with a coated frame and glass top.

Bed base included.

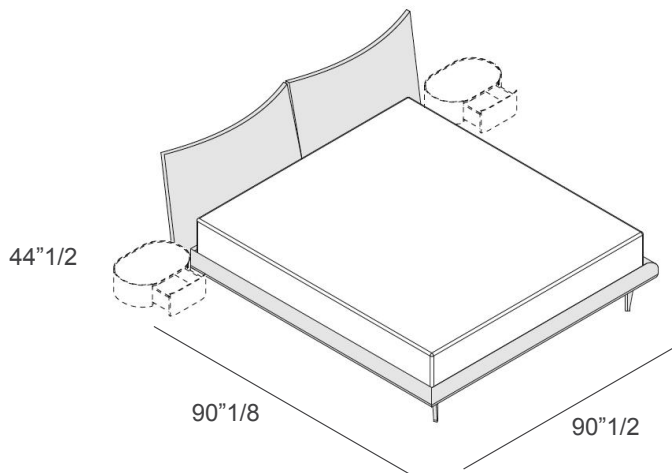
Made in Italy.

Siena

Dimensions

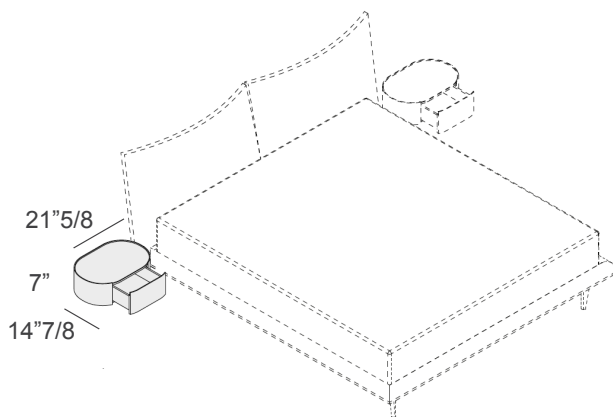
King: 90"1/8W x 90"1/2D x 44"1/2H
(To fit KING size Mattress 76"3/4 x 74"3/8)

Siena Bed



Nightstand

21"5/8W x 14"7/8D x 7"H



Shelf

23"5/8W x 17"3/4D

