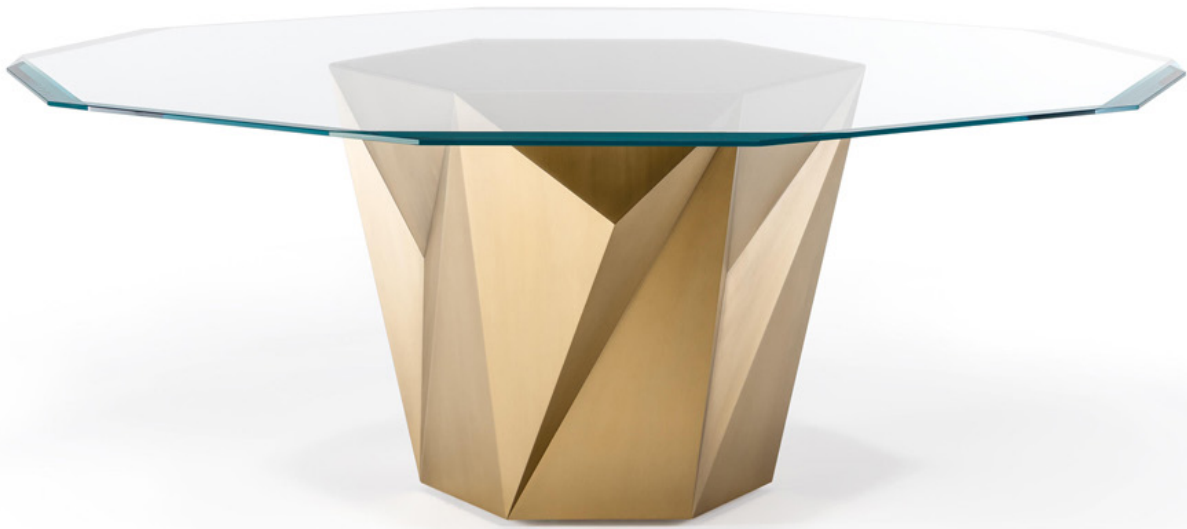


Origami

Design: Tulczinsky



Description

Dining table with base in faceted wood, available in various finishes. Square or rectangular top in glass with polished edges or in Marble Glass or Wood Glass with wing edges. Octagonal or decagonal top with 1³/₈ beveling in transparent or painted glass. Made in Italy.



Origami

Dimensions

- A: 70"7/8W x 70"7/8D x 29"1/8H
- B: 78"3/4W x 78"3/4D x 29"1/8H
- C: 98"3/8W x 47"1/4D x 29"1/8H
- D: 118"1/8W x 47"1/4D x 29"1/8H

GLASS, MARBLE GLASS AND WOOD GLASS TOP

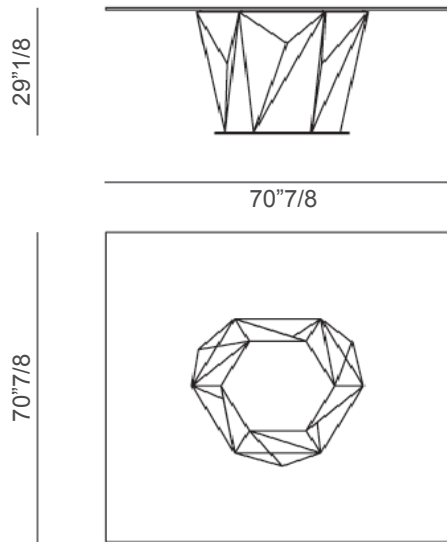


5/8" thick Glass
Polished edges

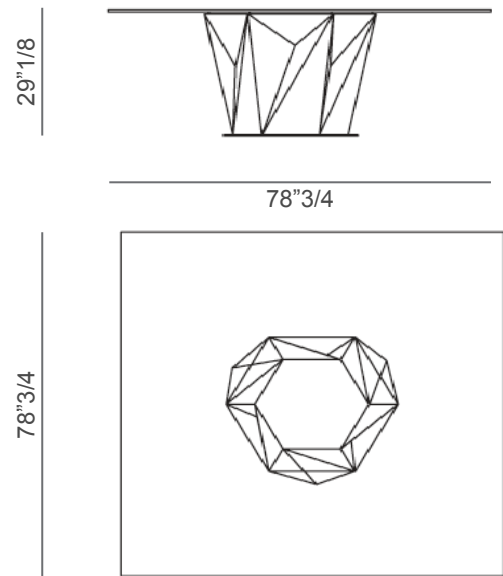


1/2" thick Marble Glass
Wing edge

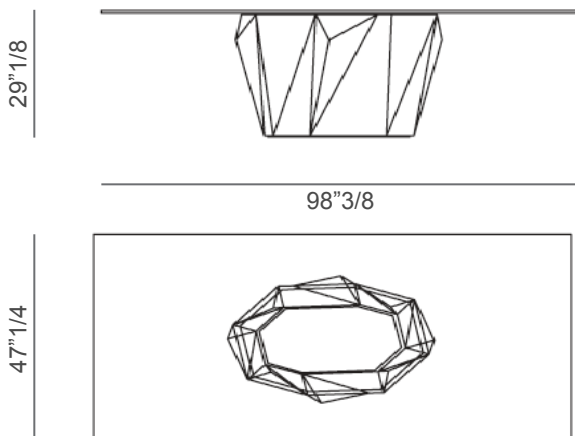
A



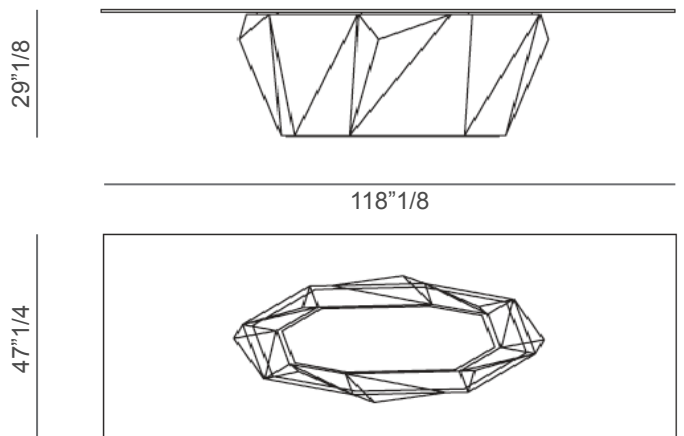
B



C



D

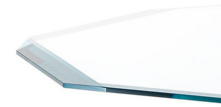


Origami

Dimensions

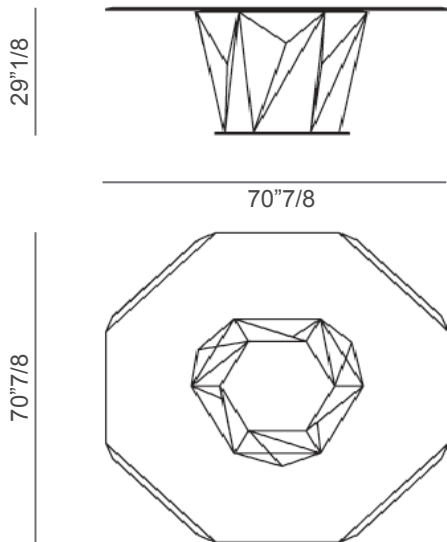
- E:** 70"7/8W x 70"7/8D x 29"1/8H
- F:** 78"3/4W x 78"3/4D x 29"1/8H
- G:** 98"3/8W x 47"1/4D x 29"1/8H
- H:** 118"1/8W x 47"1/4D x 29"1/8H

EXTRA CLEAR OR DARK BRASS FINISH TOP

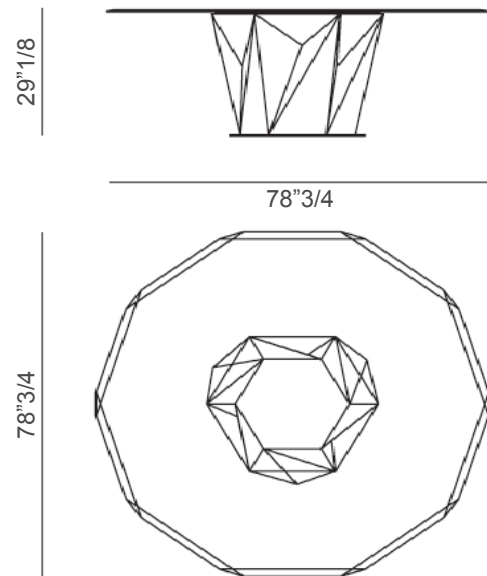


1/2" thick glass
1"3/8 beveling

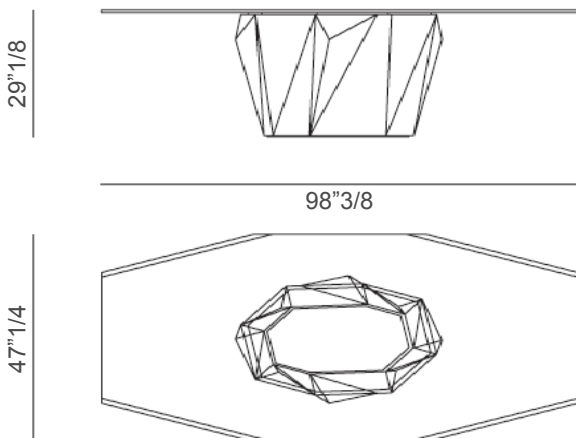
E



F



G



H

