

# Maverick

*Design: Studio Bigg*



## *Description*

Just saying the word, Maverick, and you should feel the goosebumps. Boldness, rebellion, counter-culture or a character we need never mention. Never be like the others, do what has never been done or tried before.

To that we tip our hat. To that we say, here you go. Inspired by supersonic aircraft and their aerodynamic design, our Maverick dares to push with distinctive colours and unparalleled elegance; concorde design with softened edges. In two unique sizes, Maverick is for those who scoff at the rule book and feel comfortable at their pulse going that bit faster at doing so.

## *Finishes & materials*

**Base:** Metal.

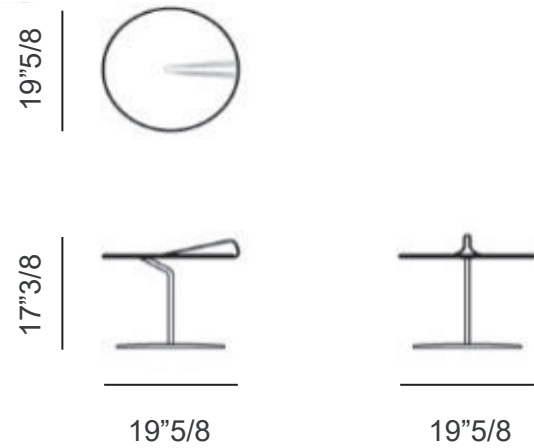
**Top:** Glass.

\*

## Dimensions

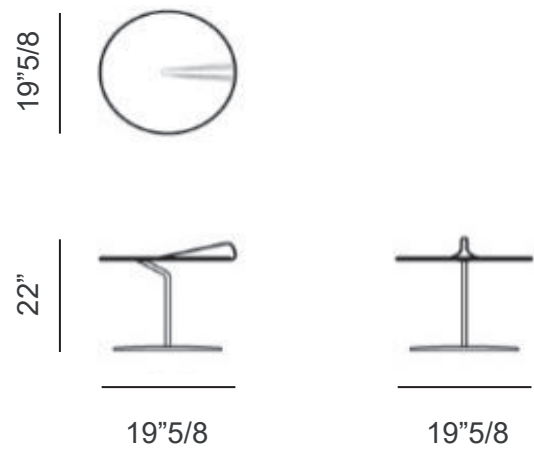
### Size A:

Ø19"5/8 x 17"3/8H



### Size B:

Ø19"5/8 x 22"H



### Size C:

Ø47"1/4 x 14"3/4H

