

Flatiron

Design: Mauro Lipparini



Description

Desk inspired in the famous Flatiron Building skyscraper in New York: with a new formal line of semi-abstract inspiration, the softness of the surfaces and the shape of the rounded parallelepiped legs fit into the formal continuum of the wooden top with its organic lines. A characteristic feature of the Flatiron top is the metal insert, an extension of the leg which, in addition to its aesthetic function, can also perform a practical one: the insert has a cable slot that allows the desk top to be kept tidy. Made in Italy.

Available in 2 different combinations:

Combination 1:

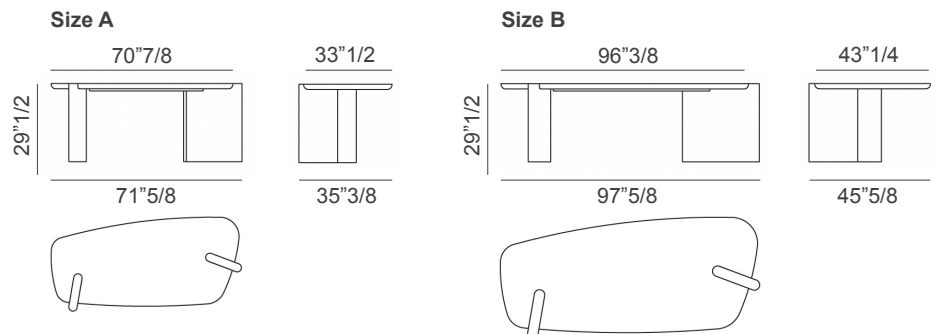
Top - Canaletto walnut veneered wood
 Base - Brushed bronze matt lacquered wood
 Insert - Bronze plus metal

Combination 2:

Top - Brushed coal oak veneered wood
 Base - Brushed lead matt lacquered wood
 Insert - Lead plus metal

Dimensions

A) 71"5/8W x 35"3/8D x 29"1/2H
 B) 97"5/8W x 45"5/8D x 29"1/2H



Note:

3 metal inserts are supplied: 2 pieces with closed surface + 1 piece with cut-out for the passage of electrical cables.