

## Risiko

*Design: Studio Kronos*



### *Description*

Wall mirror in mirrored glass. Optional: LED lighting system. Risiko is created on three levels, with a vertical shape that can therefore comfortably reflect the human figure.

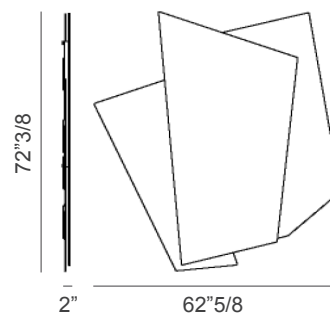
The model is angular with a punchy aesthetic and seems to hold together three large fragments of a previously intact mirror. When equipped with LED light, facing the wall as a light frame, its decorative function increases further. Made in Italy.

### *Dimensions*

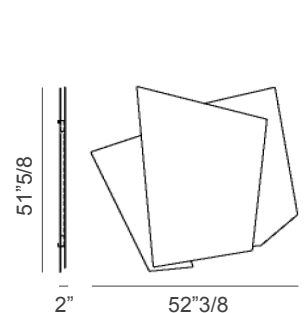
**A:** 62"5/8W x 2"D x 72"3/8H

**B:** 52"3/8W x 2"D x 51"5/8H

**A**



**B**



**Mirror:** 1/8 th.