

Ascot

Design: Umberto Asnago



Description

Ascot meets contemporary needs with a classic approach. Made with quality materials and an essential shape. An expedient almost indispensable as the Lazy Susan, the painted glass top that fixed to centerpiece allows all the guests to access the food, can characterize the model in a gentle way. The top is available in essence of wood crossed or in marble. The base is made up of three large legs placed at 120 degrees with respect to each other, in solid wood and saddle leather covered side. Made in Italy.

Finishes and materials

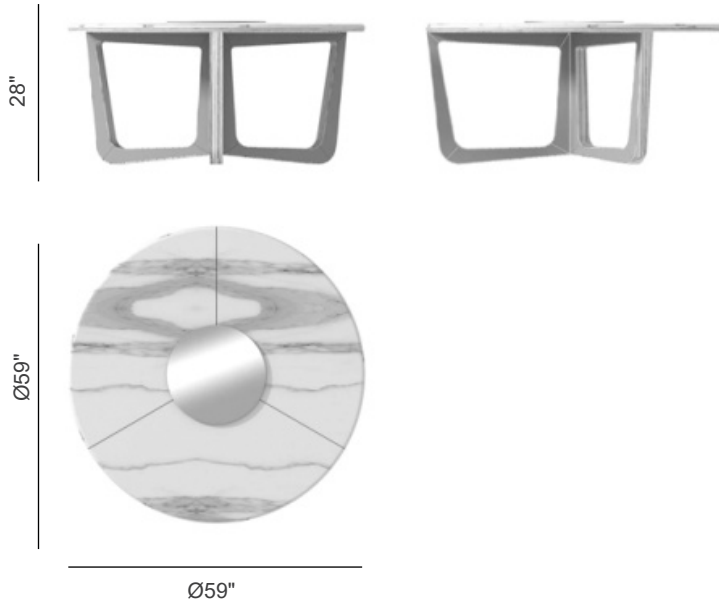
Top: Marble.

Legs: Wood.

Legs Inserts: Leather.

Lazy susan: Lacquered.

Round A: Ø59" x 28"H



Round B: Ø70"7/8 x 28"H

