

Papier

Design: Matteo Nunziati



Description

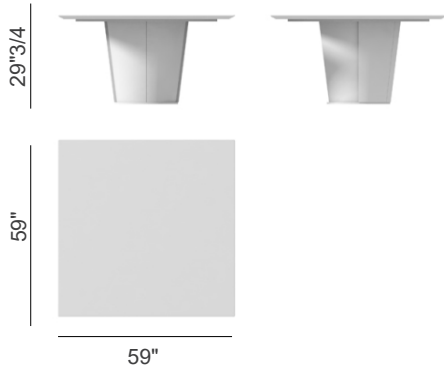
Papier is a collection of furnishing complements characterized by essentiality and lightness, obtained thanks to the use of exclusive materials and manufacturing techniques. Like impalpable sheets of paper, the saddle leather flaps shape perfectly on the shapes of the wood, from the flat surfaces to the bending of the corners. The table, available round, square or rectangular, presents an important curved base covered in saddle leather that imitates the pattern of the curved flaps paper sheets. The top is available in marble, wood or saddle leather. Made in Italy.

Finishes and materials

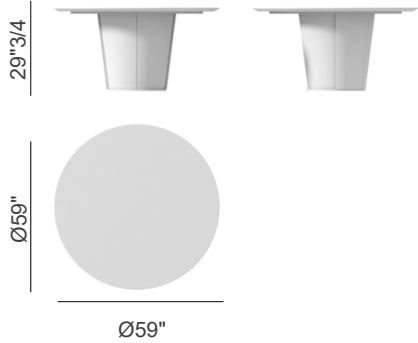
Top: Leather, wood or marble.

Base: Leather.

Square: 59"W x 59"D x 29"3/4H



Round: Ø59" x 29"3/4



Rectangular: 118"1/8W x 51"1/8D x 29"3/4H

