

York

Design: Daniele Lo Scalzo Moscheri



Description

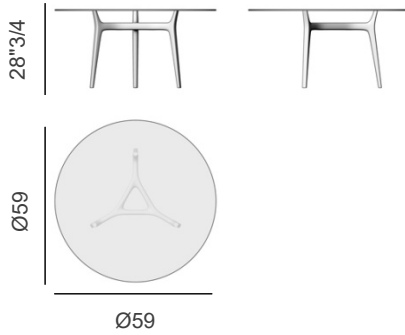
Lightness and solidity, character and elegance meet in the York table by Alessandro Dubini. Furniture with a sculptural presence, capable of characterizing an entire environment on its own, York stands out for its base with a surrealist appeal: a solid wood structure sculpted as if to form arms that support the generous top, round or rectangular, made of glass. A perfectly successful contrast of materials and sensations that gives York its main peculiarity: that of managing to maintain a refined and ethereal appearance despite its physical robustness and undeniably strong and distinctive character.

Finishes and materials

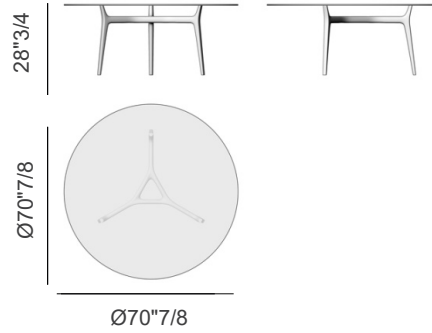
Top: Glass.

Base: Wood.

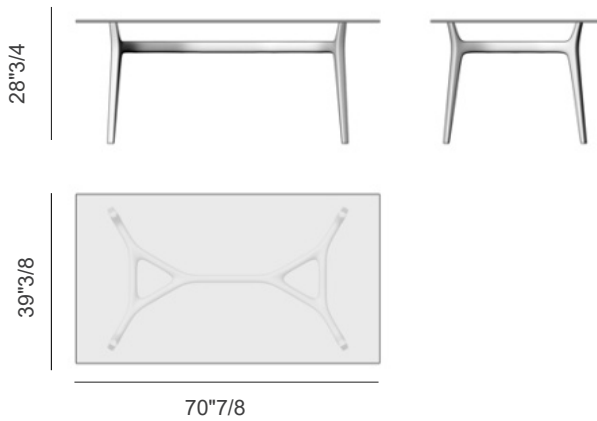
Round A: Ø59 x 28"3/4H



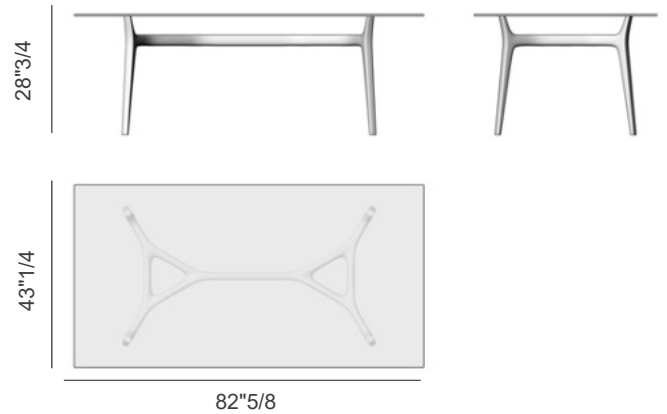
Round B: Ø70"7/8 x 28"3/4H



Rectangular A: 70"7/8W x 39"3/8D x 28"3/4H



Rectangular B: 82"5/8W x 43"1/4D x 28"3/4H



Rectangular C: 94"1/2W x 43"1/4D x 28"3/4H

