

Dangla

Design: Luca De Bona



Description

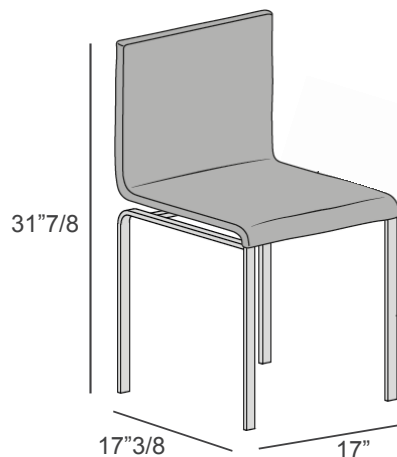
The concept for the Dangla chair emerged from an original intuition: being able to 'dress' a chair in different fabrics, Plain (smooth) or wrinkled (textured).

A non-stackable chair characterized by a simple but comfortable design: the back is able to bend backwards slightly, for a more ergonomic and comfortable seating solution. This chair also features a slim design with a robust mechanical frame able to sturdily support the weight of the body and offer maximum comfort.

Perfect for the living room but also the dining room.
Made in Italy.

Dimensions

17"W x 17"3/8D x 31"7/8H



Finishes & Materials

Cover: Removable in fabric (Cat. B, C or P).

Legs: Painted steel.