

Materia

Design: Daniele Lago



Description

Both linear and monolithic, designer Materia consoles flaunt multiple textural finishes presenting exclusive patterns and grains, all by using glass. See-through sheets of tempered glass support the designer Materia console top, giving the monolith a striking floating effect. A single unit processed as a block and fully clad in glass is dressed in high-end materials. Thanks to the revolutionary XGlass technology, it boasts a continuous vein and pattern, accentuating its monolithic look.

Available in various sizes with different drawer heights. The fronts feature a push-pull opening mechanism. Made in Italy.

Finishes & Materials

Structure & fronts: Polished, Matt and XGlass.
Support: Glass.

Materia

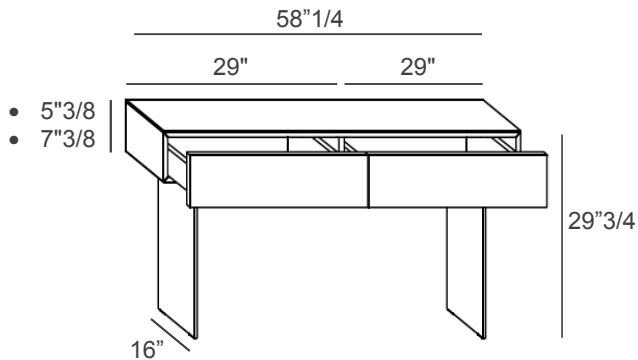
Dimensions

- A) 58"1/4W x 16"D x 29"3/4H
- B) 72"3/4W x 16"D x 29"3/4H
- C) 87"1/4W x 16"D x 29"3/4H

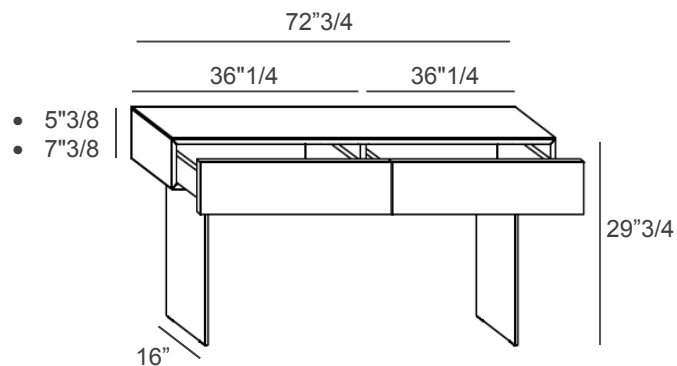
Drawers heights:

- 5"3/8
- 7"3/8

A)



B)



C)

