

## Air

*Design: Daniele Lago*



### *Dimensions*

The strength of the Air sectional lies in its modular build, designed to suit your personality and idea of comfort. With its patented coupling mechanism, this sectional can be taken apart and rebuilt to create a unique design: seats and backrests can be easily transformed, thanks to a patented hook-and-release mechanism.

The Air sectional can be supported by extra-clear tempered glass legs. This provides a comfy, functional solution, making the space feel light and airy. Tempered glass supports are attached to the frame by means of a secure patented mechanism, also blending seamlessly into the space.

Air offers ultimate flexibility for your compositions, helping you reinvent your living room look time and time again.

Available optionals: Back, decorative and lumbar cushions filled with hypoallergenic fibers or with goose feathers.

Made in Italy.

### *Finishes & Materials*

**Cover:** Fabric (Cat. B or C), Eco-Leather and Leather.

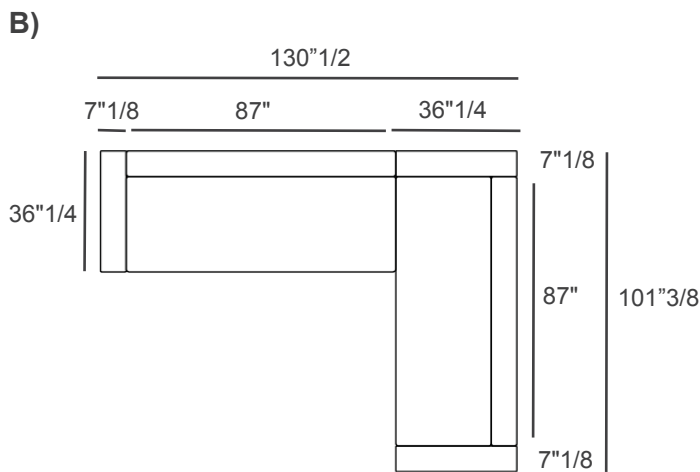
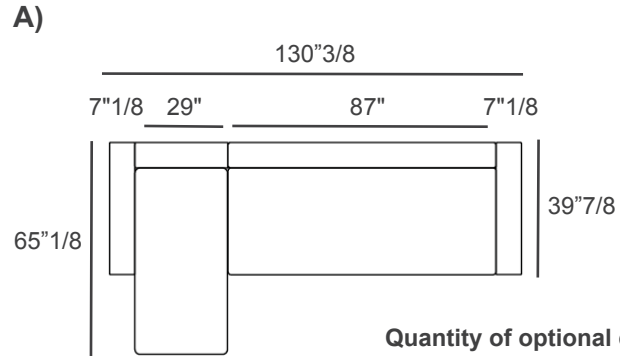
**Legs:** Tempered Glass.

\*Please note: Composition "E" has a table in Wildwood with different finishes available.

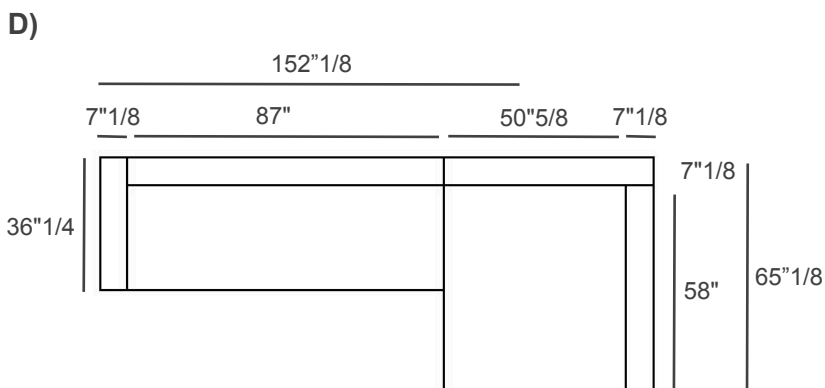
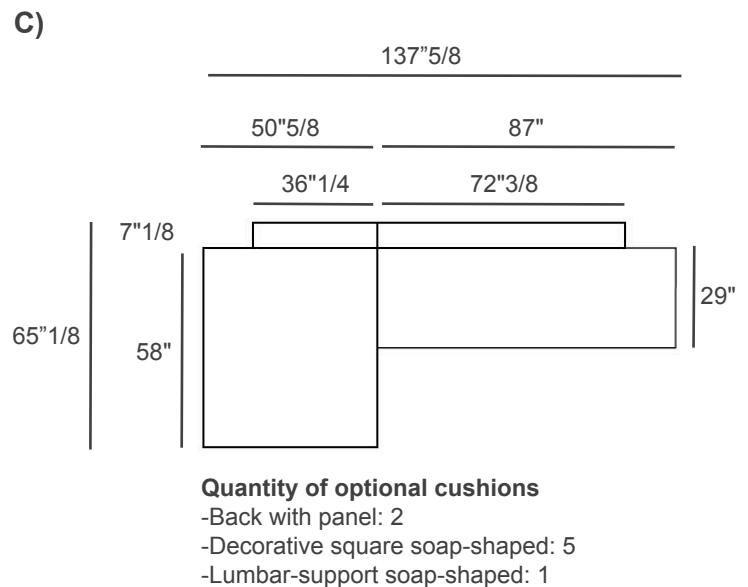
## Air

### Compositions

- A) 130"3/8W x 65"1/8D x 30"H
- B) 130"1/2W x 101"3/8D x 30"H
- C) 137"5/8W x 65"1/8D x 30"H
- D) 152"1/8W x 65"1/8D x 30"H
- E) 173"7/8W x 79"5/8D x 26"3/8H
- F) 148"1/2W x 130"3/8D x 26"3/8H
- G) 152"1/8W x 36"1/4D x 30"H

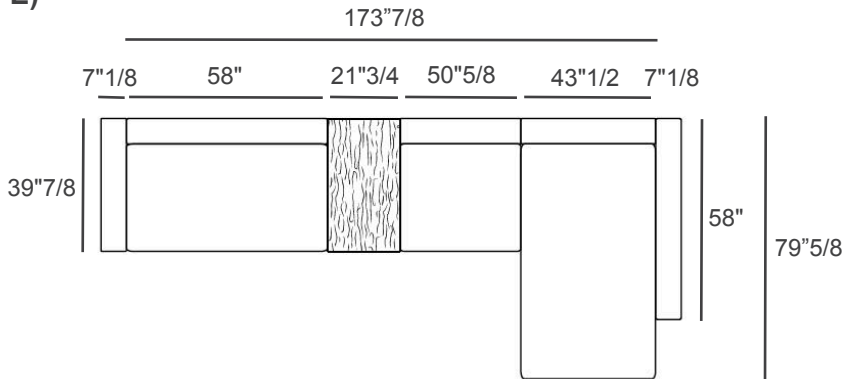


**Quantity of optional cushions**  
-Back with panel: 4



## Air

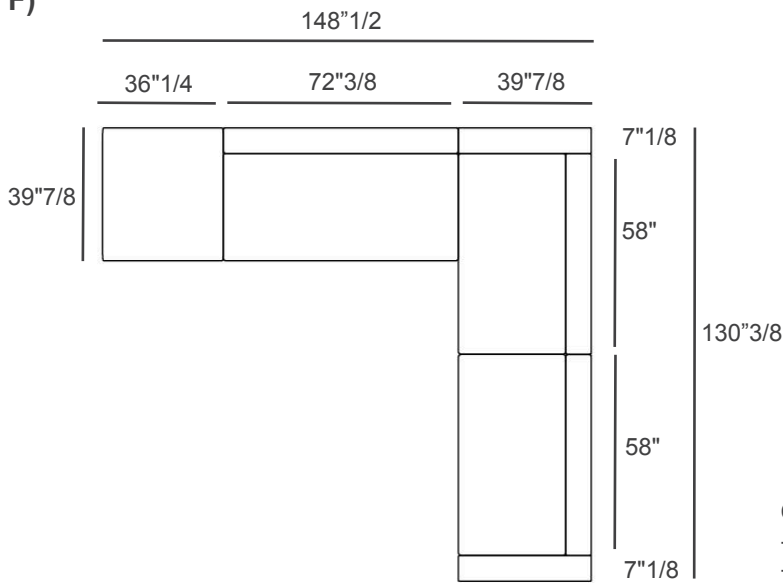
E)



**Quantity of optional cushions**

- Back with panel: 4
- Decorative square soap-shaped: 1

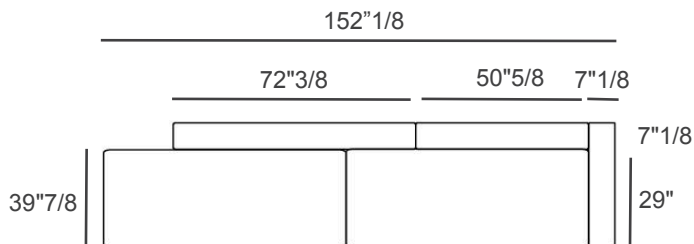
F)



**Quantity of optional cushions**

- Back with panel: 5
- Decorative square soap-shaped: 2

G)



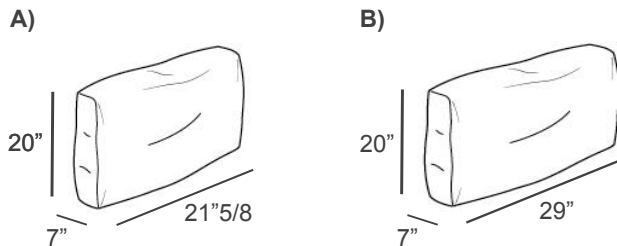
**Quantity of optional cushions**

- Back with panel: 3
- Decorative square soap-shaped: 1
- Lumbar-support soap-shaped: 1

## Air

### Optional back cushion with panel:

- A) 21"5/8W x 7"D x 20"H
- B) 29"W x 7"D x 20"H

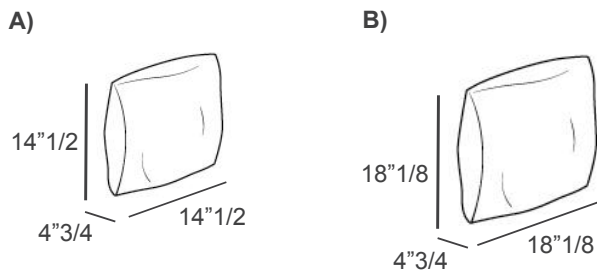


### Backrests height for each composition:

- A) 21"3/4H
- B) 21"3/4H
- C) 21"3/4H
- D) 16"1/4H when module width is 50"5/8  
21"3/4H when module width is 87"
- E) 18"1/8H
- F) 18"1/8H
- G) 16"1/4H when module width is 50"5/8  
21"3/4H when module width is 72"3/8

### Optional decorative square soap-shaped cushion:

- A) 14"1/2W x 4"3/4D x 14"1/2H
- B) 18"1/8W x 4"3/4D x 18"1/8H

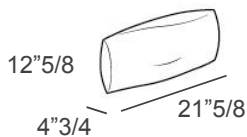


### Armrests height for each composition:

- A) 16"1/4H
- B) 16"1/4H
- D) 16"1/4H when module width is 87"  
18"1/8H when module width is 50"5/8
- E) 18"1/8H
- F) 18"1/8H
- G) 16"1/4

### Optional lumbar-support soap-shaped cushion:

21"3/4W x 4"3/4D x 12"5/8H



### Legs in Tempered Glass

