

Air

Design: Daniele Lago



Description

Refined table tops make for a compact design, with impact. Available in different shapes and customizable in a wide range of materials, the Air Slim designer dining table, with a 3/8" thick top, seems to float mid-air thanks to its slender yet ultra-strong legs.

A designer table with a technological and sustainable soul: the table top combines the qualities of a noble and prized material like glass with the emotions of multiple natural elements such as marble and metal, according to a strategy to minimize the environmental footprint.

The Air Slim table brings a real light feel to the space, thanks to a thick top and solid tempered-glass supports, which are heat-treated to ensure it is highly resistant to impact and changes in temperature. It also makes it fully waterproof and resistant to corrosive substances.

Made in Italy.

Finishes & Materials

Top: Wildwood, Polished and Matt Glass or Polished and Matt XGlass.

Support: Tempered Glass.

Air

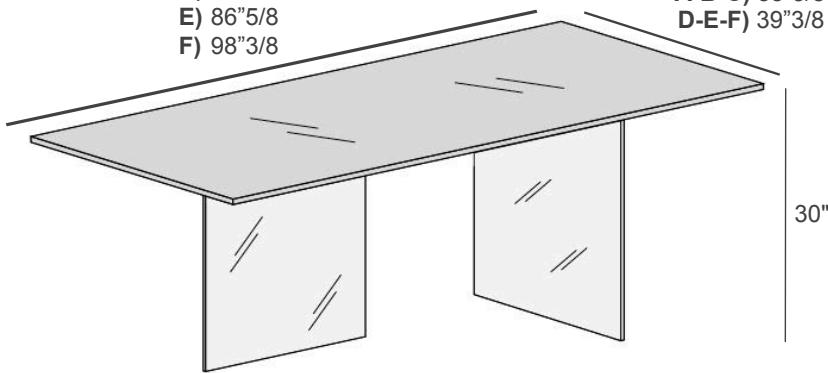
Dimensions

- A) 47"1/4W x 35"3/8D x 30"H
- B) 63"W x 35"3/8D x 30"H
- C) 74"3/4W x 35"3/8D x 30"H
- D) 78"3/4W x 39"3/8D x 30"H
- E) 86"5/8W x 39"3/8D x 30"H
- F) 98"3/8W x 39"3/8D x 30"H
- G) 98"3/8W x 47"1/4D x 30"H
- H) 118"1/8W x 47"1/4D x 30"H

Version A

- A) 47"1/4
- B) 63"
- C) 74"3/4
- D) 78"3/4
- E) 86"5/8
- F) 98"3/8

- A-B-C) 35"3/8
- D-E-F) 39"3/8



Version B

- G) 98"3/8
- H) 118"1/8

47"1/4

