

## Air

*Design: Daniele Lago*



### *Dimensions*

The strength of the Air sofa lies in its modular build, designed to suit your personality and idea of comfort. With its patented coupling mechanism, this sofa can be taken apart and rebuilt to create a unique design: seats and backrests can be easily transformed, thanks to a patented hook-and-release mechanism.

The Air sofa can be supported by extra-clear tempered glass legs or elegant metal supports. In both cases, this sofa provides a comfy, functional solution, making the space feel light and airy. Tempered glass or metal supports are attached to the frame by means of a secure patented mechanism, also blending seamlessly into the space.

Air offers ultimate flexibility for your compositions, helping you reinvent your living room look time and time again.

Available optionals: armrests and decorative cushions filled with hypoallergenic fibers or with goose feathers.

Made in Italy.

### *Finishes & Materials*

**Cover:** Fabric (Cat. B or C), Eco-Leather and Leather.

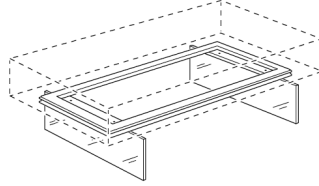
**Legs:** Tempered Glass or Metal.

## Air

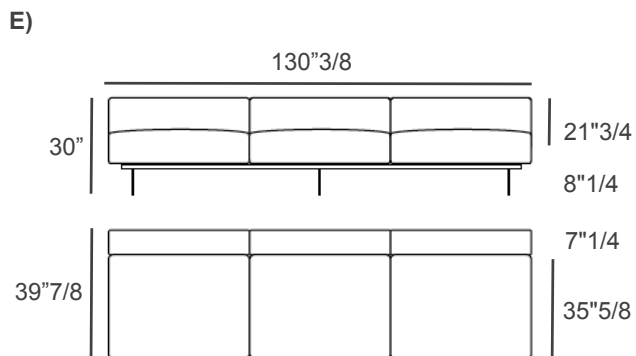
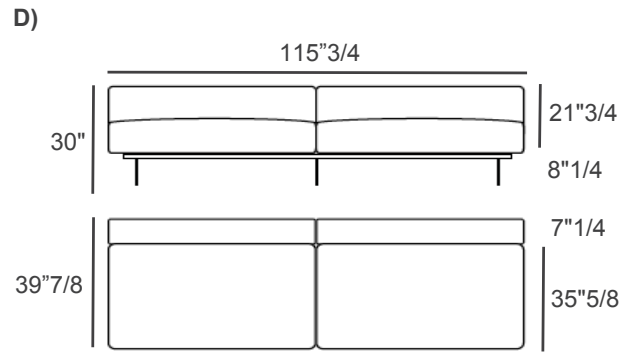
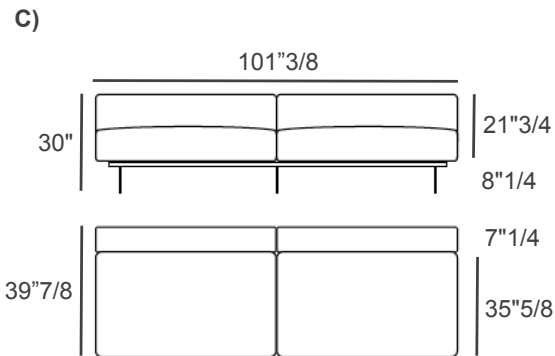
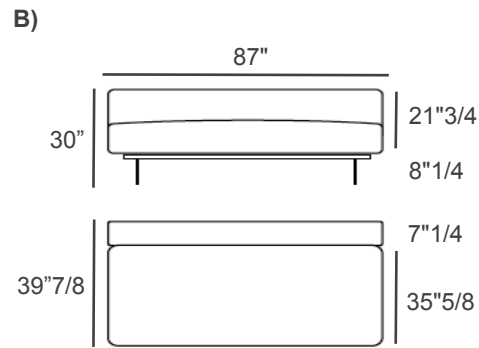
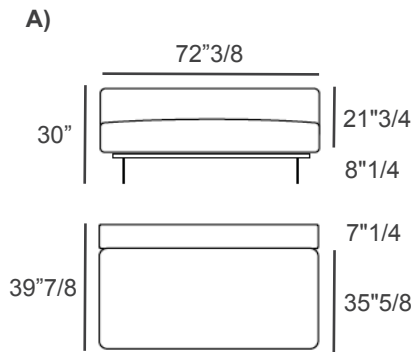
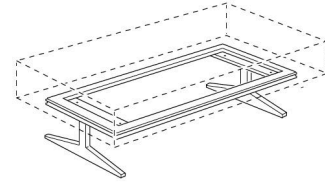
### Dimensions

- A) 72"3/8W x 39"7/8D x 30"H
- B) 87"W x 39"7/8D x 30"H
- C) 101"3/8W x 39"7/8D x 30"H
- D) 115"3/4W x 39"7/8D x 30"H
- E) 130"3/8W x 39"7/8D x 30"H

Legs in Tempered Glass



Legs in Metal

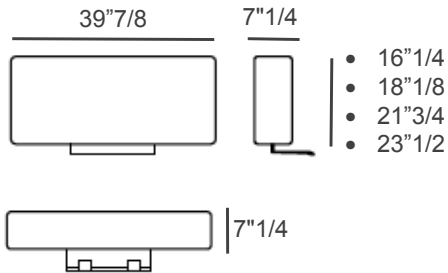


## Air

---

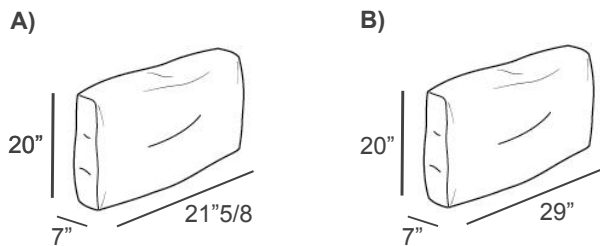
### Optional armrests:

- A) 39"7/8W x 7"1/4D x 16"1/4H
- B) 39"7/8W x 7"1/4D x 18"1/8H
- C) 39"7/8W x 7"1/4D x 21"3/4H
- D) 39"7/8W x 7"1/4D x 23"1/2H



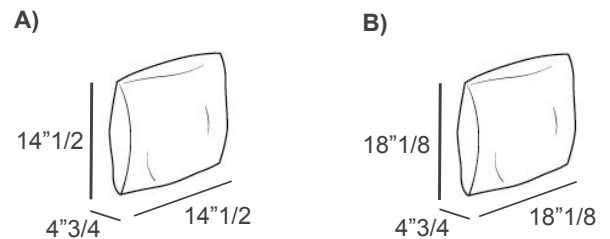
### Optional cushion with panel:

- A) 21"5/8W x 7"D x 20"H
- B) 29"W x 7"D x 20"H



### Optional square soap-shaped cushion:

- A) 14"1/2W x 4"3/4D x 14"1/2H
- B) 18"1/8W x 4"3/4D x 18"1/8H



### Optional back-support soap-shaped cushion:

21"3/4W x 4"3/4D x 12"5/8H

