

Air

Design: Daniele Lago



Description

Based on an unusual idea to create a contrast between the two key elements of a table, Air stands on two elegant, almost invisible supports, which are 3/8" thick and hold up an imposing, 3"1/8 thick top. Stunningly simple, the Air table looks as though it's floating on air, thanks to solid, clear tempered-glass supports, which create an ultra-light feel in the surrounding space.

The tempered-glass legs are highly resistant to impact, heat and changes in temperature. The supports have clear rubber feet which are fixed to the table top with an adjustable mechanism, guaranteeing maximum stability.

A monolithic table top entirely covered in glass. The sophisticated continuity of the grain pattern offered by the XGlass surfaces makes the table top exceptionally valuable. The textures of natural materials such as marble, metal and wood coat the top to create an iconic and distinctive item of interior decor.

Made in Italy.

Finishes & Materials

Top: Polished and Matt Glass or Polished and Matt XGlass.

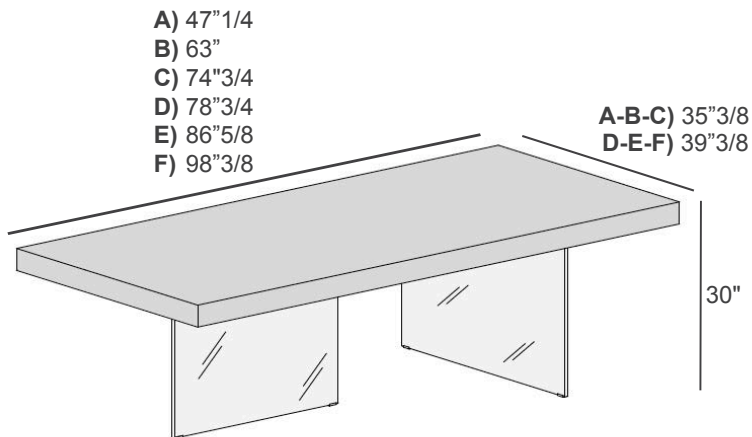
Support: Tempered Glass.

Air

Dimensions

- A) 47"1/4W x 35"3/8D x 30"H
- B) 63"W x 35"3/8D x 30"H
- C) 74"3/4W x 35"3/8D x 30"H
- D) 78"3/4W x 39"3/8D x 30"H
- E) 86"5/8W x 39"3/8D x 30"H
- F) 98"3/8W x 39"3/8D x 30"H
- G) 98"3/8W x 47"1/4D x 30"H
- H) 118"1/8W x 47"1/4D x 30"H

Version A



Version B

