

Air

Design: Daniele Lago



Description

Based on an unusual idea to create a contrast between the two key elements of a table, Air stands on two elegant, almost invisible supports, which are 3/8" thick and hold up an imposing, 3"1/8 thick top. Stunningly simple, the Air table looks as though it's floating on air, thanks to solid, clear tempered-glass supports, which create an ultra-light feel in the surrounding space.

The tempered-glass legs are highly resistant to impact, heat and changes in temperature. The supports have clear rubber feet which are fixed to the table top with an adjustable mechanism, guaranteeing maximum stability. Solidity, strength and reassuring formal perfection: Air tables with a Laminate, Fenix and Lacquered top constitute versatile solutions where functionality and color create the visual surface of design.

Made in Italy.

Finishes & Materials

Top: Laminate, Fenix and Lacquer.

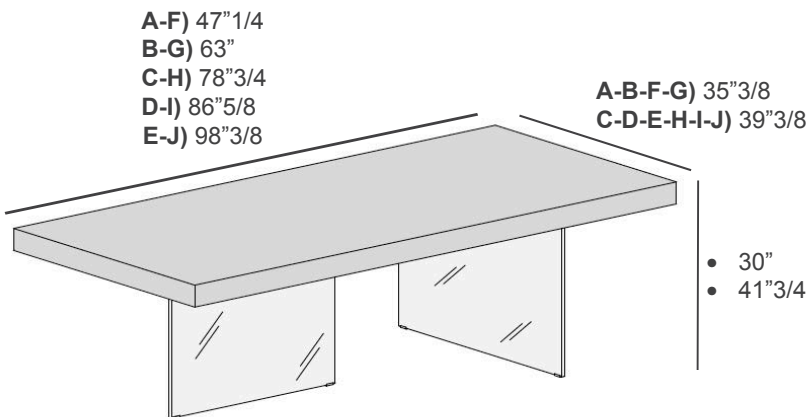
Support: Tempered Glass.

Air

Dimensions

- A) 47"1/4W x 35"3/8D x 30"H
- B) 63"W x 35"3/8D x 30"H
- C) 78"3/4W x 39"3/8D x 30"H
- D) 86"5/8W x 39"3/8D x 30"H
- E) 98"3/8W x 39"3/8D x 30"H
- F) 47"1/4W x 35"3/8D x 41"3/4H
- G) 63"W x 35"3/8D x 41"3/4H
- H) 78"3/4W x 39"3/8D x 41"3/4H
- I) 86"5/8W x 39"3/8D x 41"3/4H
- J) 98"3/8W x 39"3/8D x 41"3/4H
- K) 98"3/8W x 47"1/4D x 30"H
- L) 118"1/8W x 47"1/4D x 30"H

Version A



Version B

