

## Air

*Design: Daniele Lago*



### *Dimensions*

Based on an unusual idea to create a contrast between the two key elements of a table, Air stands on two elegant, almost invisible supports, which hold up an imposing, chunky table top. Stunningly simple, the Air table looks as though it's floating on air, thanks to solid, clear tempered-glass supports, which create an ultra-light feel in the surrounding space.

A special heat-treatment process of the Wildwood oak makes the table top (3"1/8 thick) extremely wear-resistant and impermeable to liquids, ensuring its durability.

The tempered-glass legs (3/8" thick) are highly resistant to impact, heat and changes in temperature. The supports have clear rubber feet which are fixed to the table top with an adjustable mechanism, guaranteeing maximum stability.

Made in Italy.

### *Finishes & Materials*

**Top:** Wildwood.

**Support:** Tempered Glass.

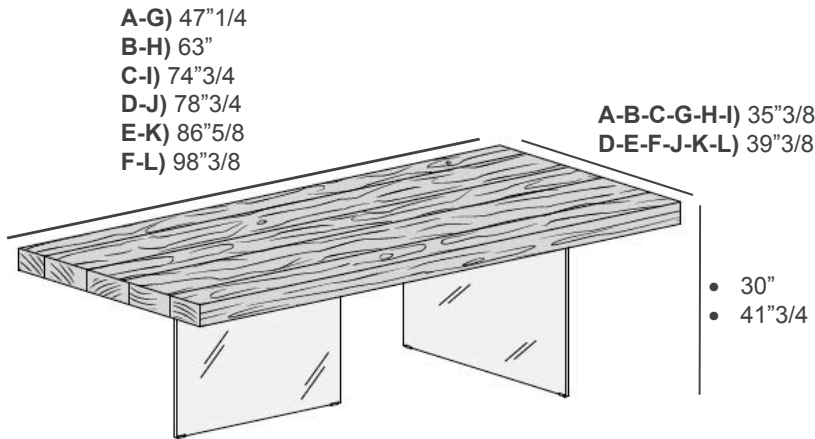
\*Please note: The preference between closed or retracting heads for the table needs to be specified.

## Air

### Dimensions

- A) 47"1/4W x 35"3/8D x 30"H
- B) 63"W x 35"3/8D x 30"H
- C) 74"3/4W x 35"3/8D x 30"H
- D) 78"3/4W x 39"3/8D x 30"H
- E) 86"5/8W x 39"3/8D x 30"H
- F) 98"3/8W x 39"3/8D x 30"H
- G) 47"1/4W x 35"3/8D x 41"3/4H
- H) 63"W x 35"3/8D x 41"3/4H
- I) 74"3/4W x 35"3/8D x 41"3/4H
- J) 78"3/4W x 39"3/8D x 41"3/4H
- K) 86"5/8W x 39"3/8D x 41"3/4H
- L) 98"3/8W x 39"3/8D x 41"3/4H
- M) 98"3/8W x 47"1/4D x 30"H
- N) 118"1/8W x 47"1/4D x 30"H

#### Version A



#### Version B

