

## Blendie

*Design: Daniele Lago*



### *Dimensions*

This one-piece glass top with no joins includes shapes in different colours and textured finishes, creating the illusion of a table composition. The delicate lines of the Blendie coffee table create a deep sense of harmony in your living room.

Have fun with hybrid finishes and the look of your interior design, thanks to our smart XGlass technology. Customize the top in XGlass marble, metal, wood or fabric, as well as lacquered finishes, which are also printed on glass.

Special processing used for the Blendie occasional table blurs the lines of the glass top, creating the illusion of a table composition. This versatile solution brings different shapes and textures to a single top.

3/8" thick top.

Made in Italy.

### *Finishes & Materials*

**Top:** Lacquered or Polished and Matt XGlass.

**Support:** Tempered glass.

## Blendie

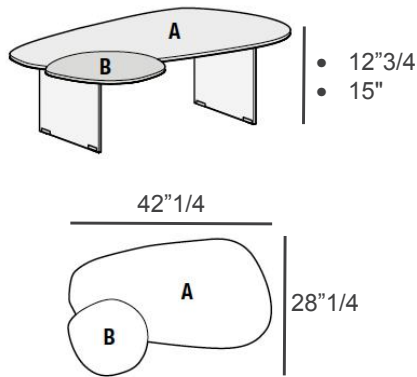
### Dimensions

- A) 42"1/4W x 28"1/4D x 12"3/4H
- B) 42"1/4W x 28"1/4D x 15"H
- C) 33"3/8W x 27"5/8D x 12"3/4H
- D) 33"3/8W x 27"5/8D x 15"H
- E) 37"3/8W x 27"1/2D x 12"3/4H
- F) 37"3/8W x 27"1/2D x 15"H
- G) 53"1/4W x 26"1/8D x 12"3/4H
- H) 53"1/4W x 26"1/8D x 15"H
- I) 32"5/8W x 32"5/8D x 12"3/4H
- J) 32"5/8W x 32"5/8D x 15"H
- K) 50"5/8W x 29"D x 12"3/4H
- L) 50"5/8W x 29"D x 15"H

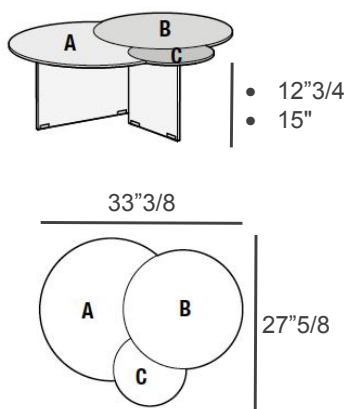
\*Please note:

Shapes "A", "B" and "C" have different finishes, each must be selected from the Lacquered and from the Polished/Matt XGlass collections.

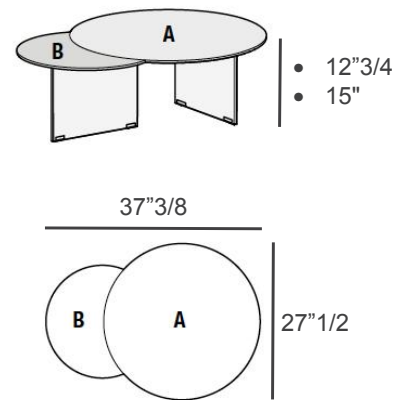
A-B)



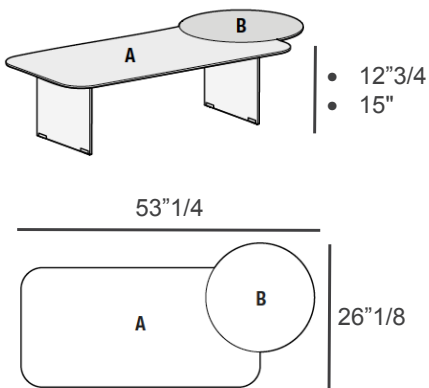
C-D)



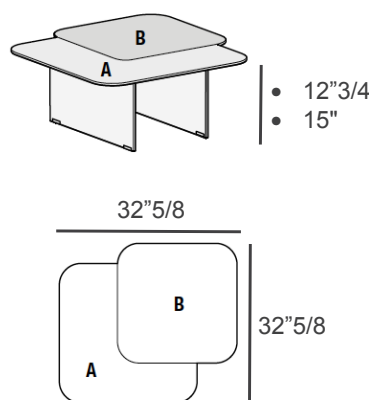
E-F)



G-H)



I-J)



K-L)

