

Fluttua

Design: Daniele Lago



Description

Fluttua is the world's first floating bed, defying gravity and offering you an exhilarating sleep experience, floating on air. The frame is held up by a single, central, height-adjustable support, which is fastened to the wall with a carefully designed mechanism. The innovative HPL bed base is 3/8", being imperceptible to the eye, it creates a magical floating effect. There's no barrier beyond the mattress, no solid obstacle restricting the flow of the space in the room. This also makes it easy to clean and keep hygienic.

Thanks to its carefully studied engineering, the bed can be mounted on different types of wall and plasterboard. Rigorous testing ensures the highest safety standards while you sleep. The adjustable frame has been also carefully engineered to support loads of up to 528 lbs (240 Kg), tried and tested. The bed base is free of slats, and doesn't flex or creak. The height can be adjusted via the central support.

LED lighting can be built into the lower part of the base and on the headboard, creating a unique sensory effect guaranteed to blow you away. Headboards can be infinitely customized and accessorized in different fabrics, with or without rear finish, with functional bedside tables and with LED lighting which can be built on the headboard or under the bed base, to further emphasize the iconic, evocative, floating effect

A panel is needed if the bed will be fixed to a plasterboard wall.

Optional accessories available: LED lighting under bedflat and on headboard (with or without power unit and dimmer), glass shelves and Materia bedside tables.

Made in Italy.

Finishes and Materials

Headboard: Fabric (Cat. "B" or "C"), Eco-Leather and Leather.

Base: Black kraft multi-ply HPL panel.

Optional shelves and bedside tables: Polished and Matt Glass or XGlass.

Fluttua

Dimensions

Queen: To fit American Queen size mattress 59"7/8W x 80"D.

King: To fit American King size mattress 76"W x 80"D.

No headboard

A) Queen: 59"7/8W x 80"D x 12"5/8"H

King: 76"W x 80"D x 12"5/8"H

Adjustable Height up to 16"3/4H

Headboard covered in fabric

B) Queen: 59"7/8W x 83"D x 28"3/8"H

King: 76"W x 83"D x 28"3/8"H

Adjustable Height up to 45"H

C) Queen: 59"7/8W x 83"D x 34"5/8H

King: 76"W x 83"D x 34"5/8H

Adjustable Height up to 51"3/8H

D) Queen: 59"7/8W x 83"D x 42"1/8H

King: 76"W x 83"D x 42"1/8H

Adjustable Height up to 58"7/8H

E) Queen: 59"7/8W x 83"D x 52"H

King: 76"W x 83"D x 52"H

Adjustable Height up to 68"5/8H

F) Queen: 119"1/4W x 83"D x 34"5/8H

King: 131"W x 83"D x 34"5/8H

Adjustable Height up to 51"3/8H

Headboard covered in fabric

with 2-cushion effect

G) Queen: 67"3/4W x 87"3/4D x 34"5/8H

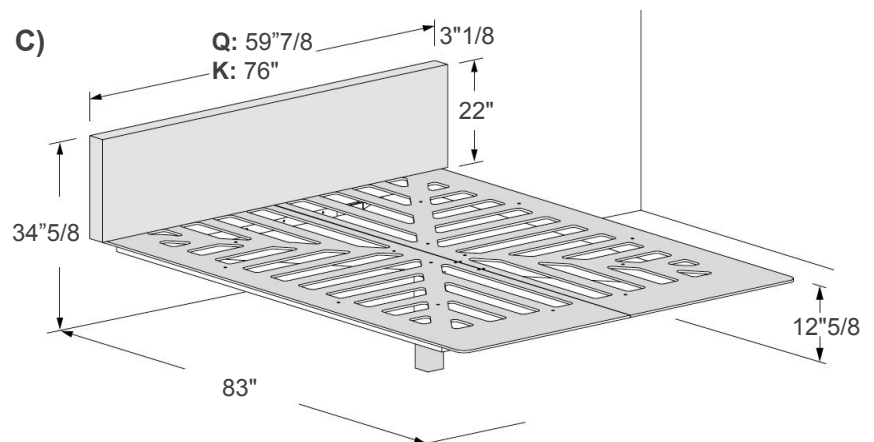
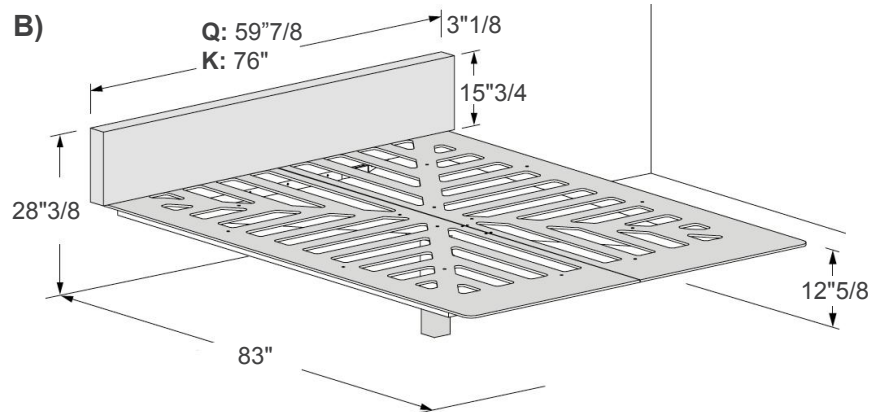
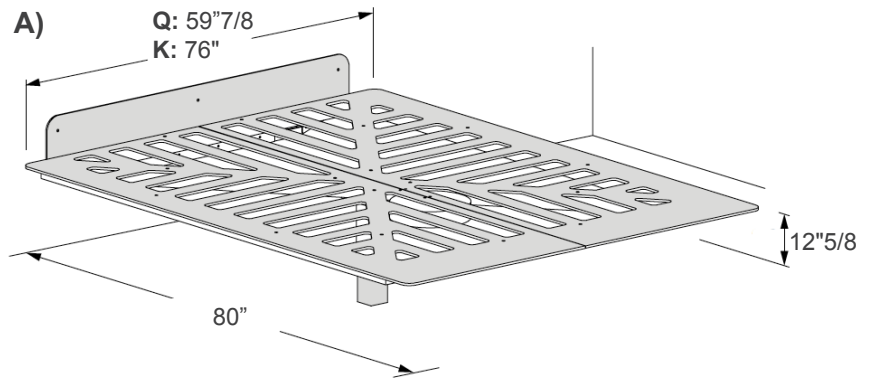
King: 83"7/8W x 87"3/4"D x 34"5/8H

Adjustable Height up to 51"3/8H

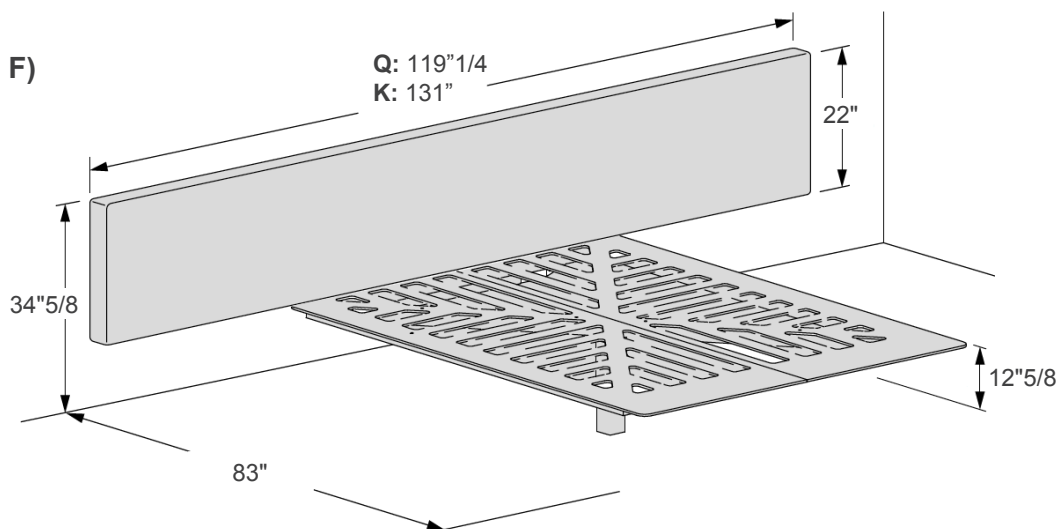
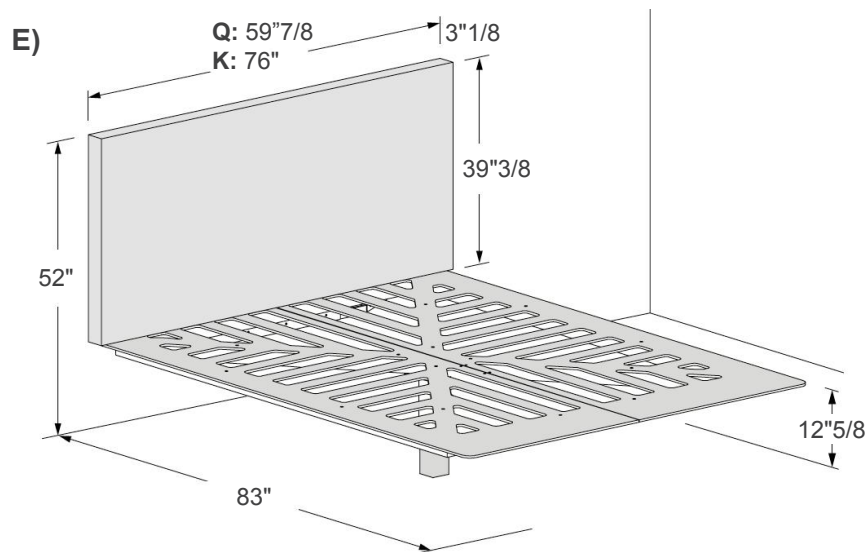
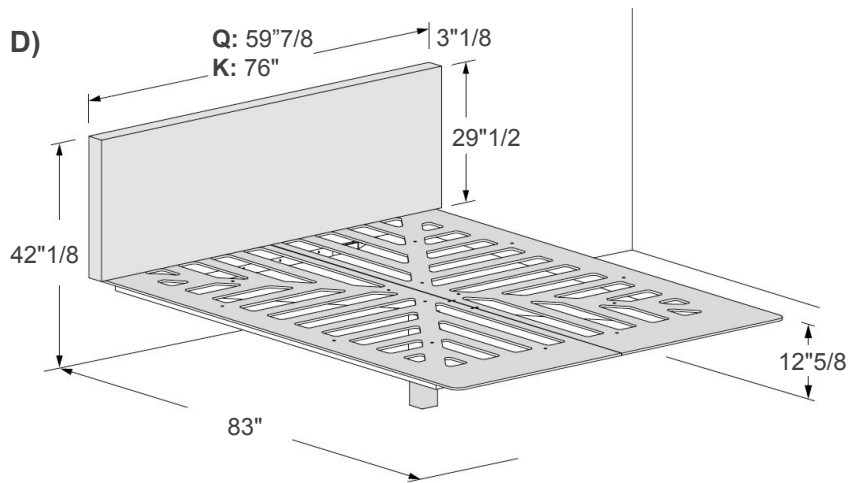
H) Queen: 67"3/4W x 87"3/4D x 42"1/8H

King: 83"7/8W x 87"3/4"D x 42"1/8H

Adjustable Height up to 58"7/8H

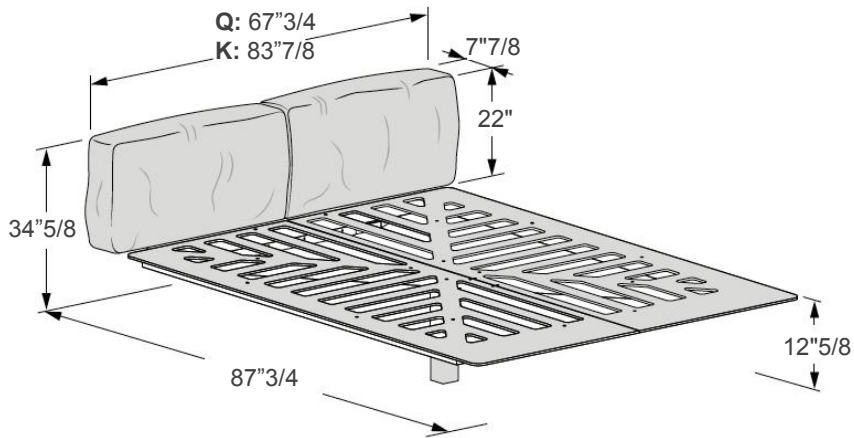


Fluttua

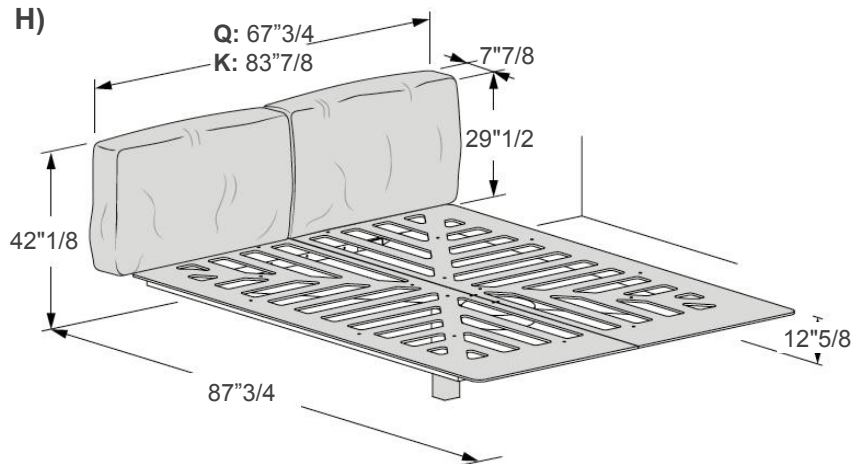


Fluttua

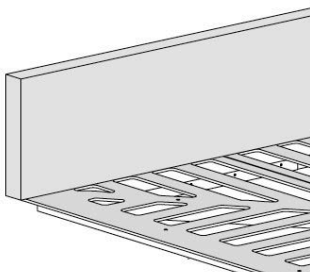
G)



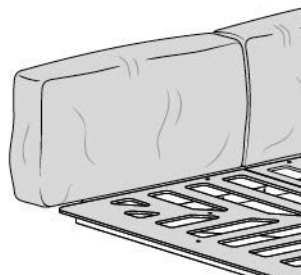
H)



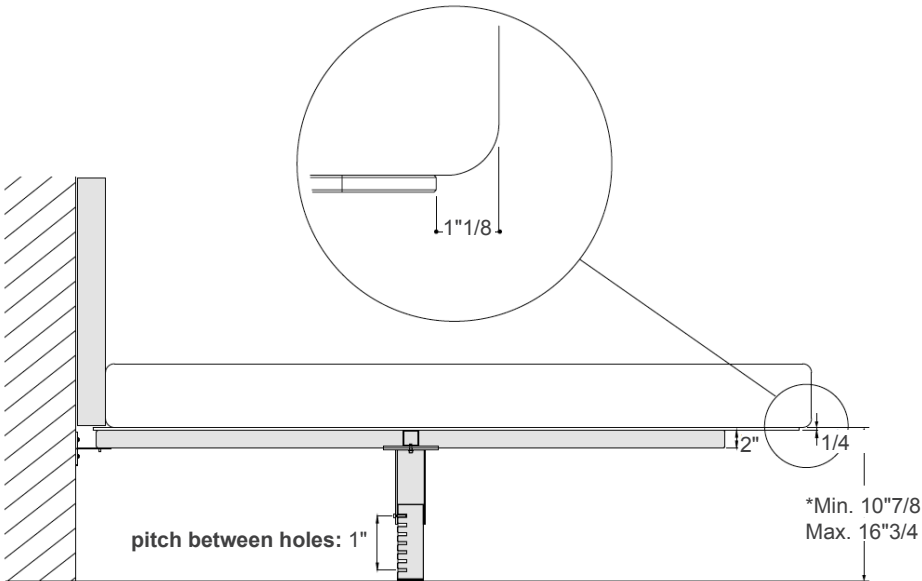
Headboard detail of sizes:
"B", "C", "D", "E" and "F"



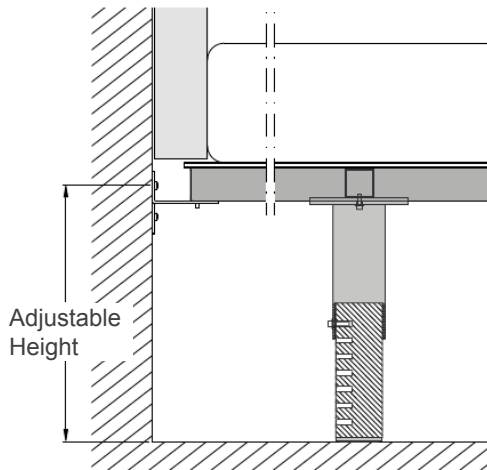
Headboard detail of sizes:
"G" and "H"



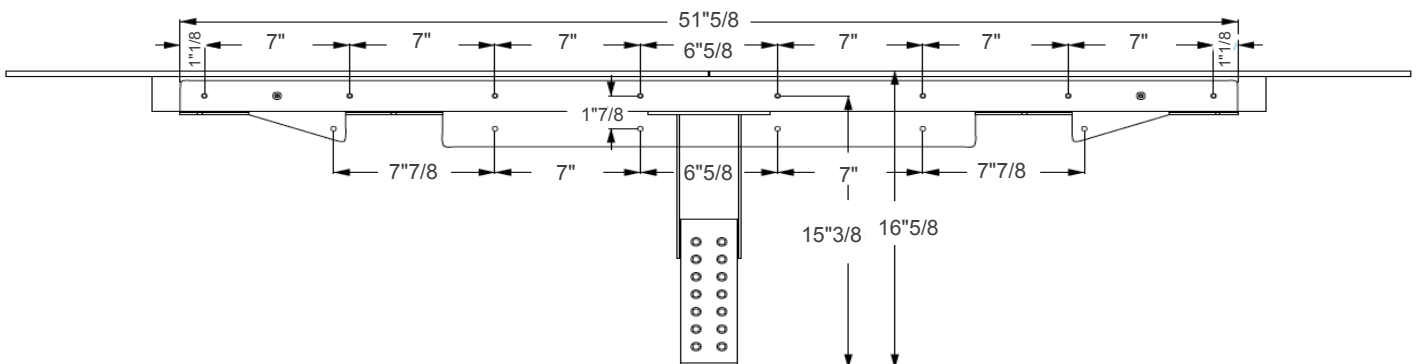
Fluttua



The height of the platform is determined on the assembling phase



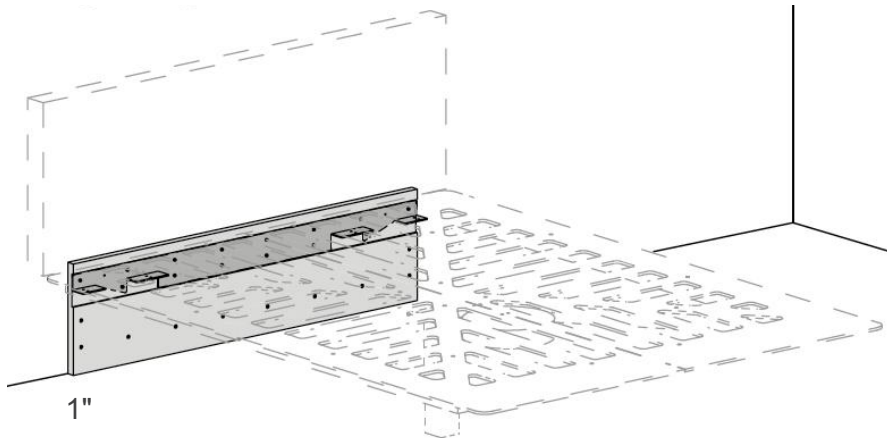
The platform height goes from $10\frac{7}{8}$ " to $16\frac{3}{4}$ "
-7 heights every 1"



Fluttua

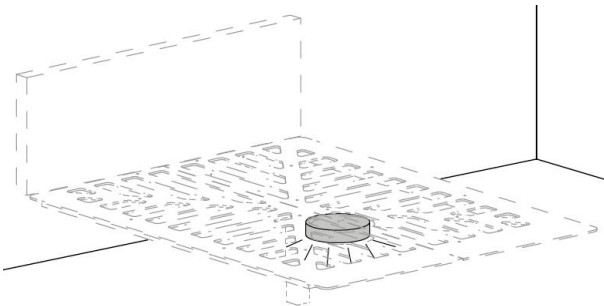
Necessary for Plasterboards

- Panel to be cut underneath, according to the bed fitting height
- Thickness: 1"
- Finish: White Lacquered



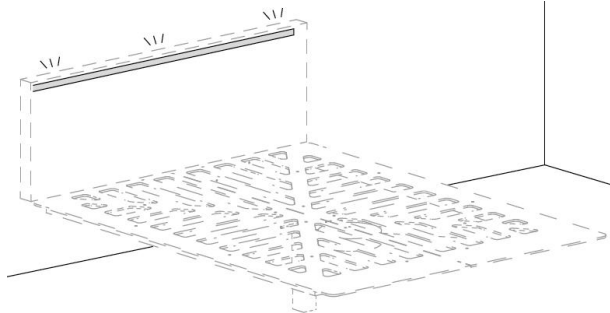
Optional lighting under bed

- 3000°K LED bulb - 110V - Without switch.
- Ø10"5/8



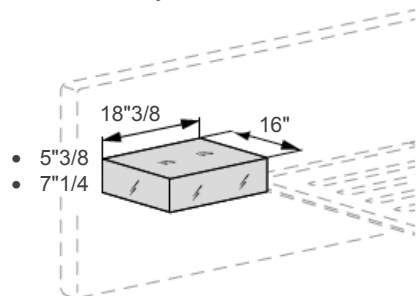
Headboard lighting

- LED lighting 3.000°K - Power unit not included.
- LED support 3/4" thick.
- A power unit of 80W with 110V can be added.
- *Not available for "A", "G" and "H" sizes.*



Materia bedside table with drawer

- 18"3/8W x 16"D x 5"3/8H
- 18"3/8W x 16"D x 7"1/4H
- *Available only for "F" sizes.*



Glass shelf 18"1/8W x 10"7/8D x 3/8"H

- *Available only for "F" sizes.*

