

# Janeiro

*Design: Bartoli Design*



## *Description*

The lines of a rocky monolith inspired the design of Janeiro table. The characteristic shape of the concrete block that is the base copies the well-known Sugarloaf Mountain in Rio de Janeiro. The base of the table in fact plays with two solid dome shapes in perfect equilibrium, with the table top seeming to balance magically on the summit. The candid textured finish of the concrete works perfectly with the soft lines of the base and the top, available in a circular, oval or rectangular shape.

The table top is available in Glass, XGlass or Wood, for a truly unique surprising texture contrast. On one hand, the transparent perfection of the glass top meets the solidness of the concrete base with its natural anthracite finish to create an extremely contemporary object. On the other hand, contrast between the natural Wildwood top and the concrete base creates an original solution for modern interiors.

Made in Italy.

## *Finishes and Materials*

**Top:** Wildwood, Polished and Matt Glass or Polished and Matt XGlass.

**Base:** Concrete with internal steel support.

## Janeiro

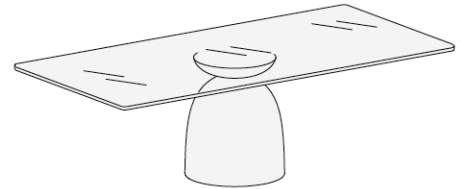
### Dimensions

#### Rectangular

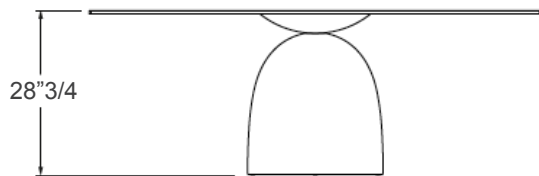
A) 78"3/4W x 39"3/8D x 28"3/4H

B) 86"5/8W x 43"1/4D x 28"3/4H

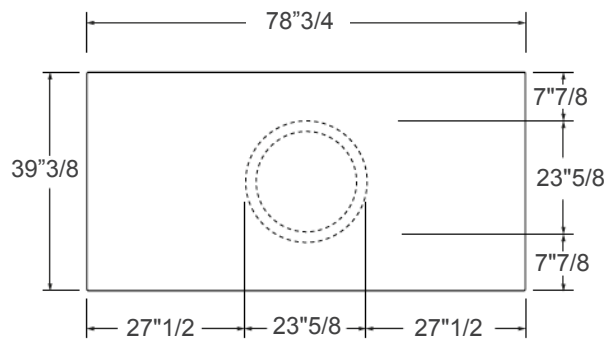
Base: Ø23"5/8



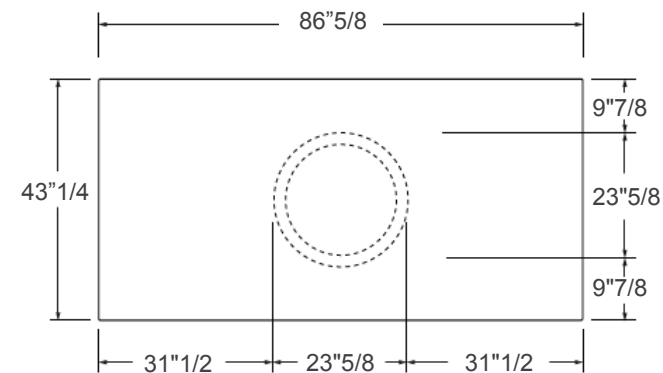
Rectangular in Extra-Clear Glass



#### A)



#### B)



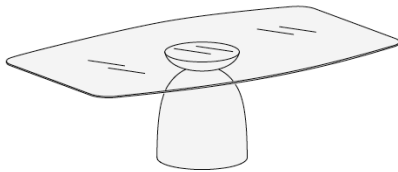
## Janeiro

### Shaped

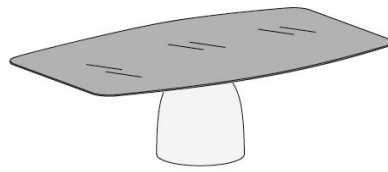
A) 78"3/4W x 47"1/4D x 28"3/4H

B) 86"5/8W x 47"1/4D x 28"3/4H

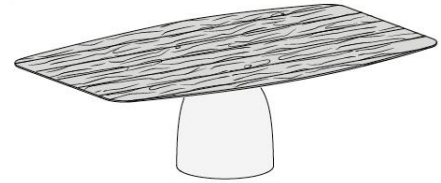
Base: Ø23"5/8



Shaped in Extra-Clear Glass

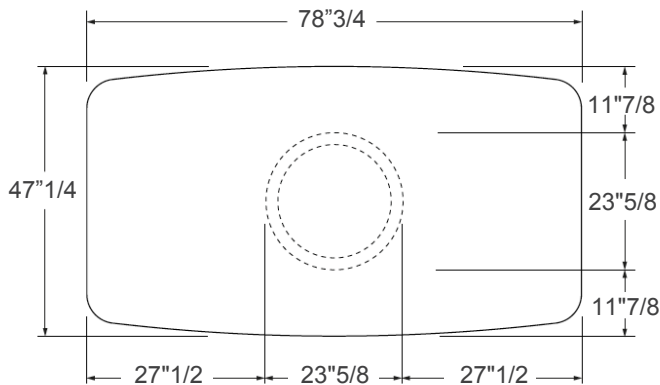


Shaped in Polished/Matt Glass or XGlass



Shaped in Wildwood

A)



B)

