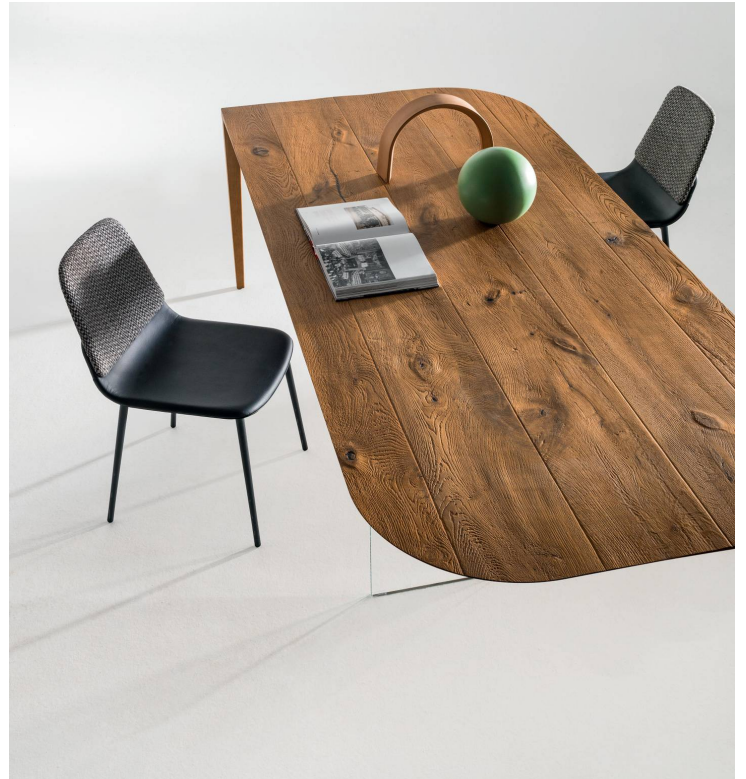


## P&J

*Design: Daniele Lago*



### *Description*

A single flow of material on just two supports: this is the main feature of the P&J table. The ultra-thin top (which is 1/8" thick) with its rounded corners links harmoniously with the wooden legs positioned at either end to create a single, harmonious, flowing line.

The cabinetwork of the structure and an imperceptible glass support placed under the center of the top guarantee stability and solidity, increasing resistance to knocks and impact.

Made in Italy.

### *Finishes & Materials*

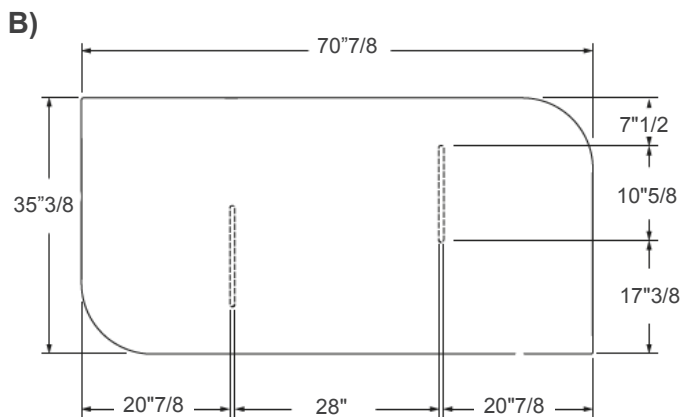
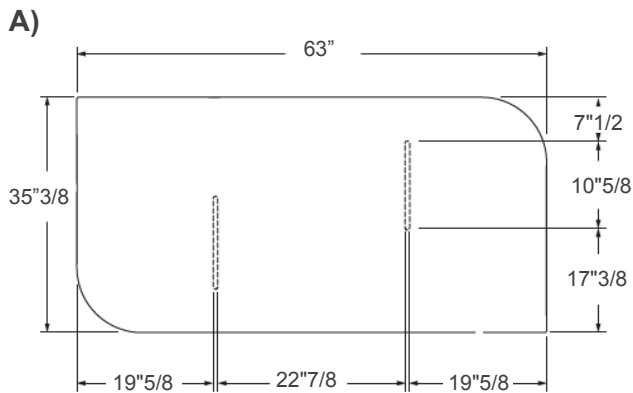
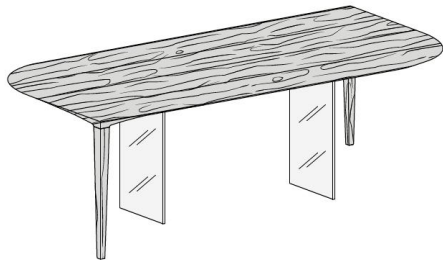
**Top & Legs:** Wildwood.

**Support:** Tempered Glass.

P&J

## Dimensions

- A) 63"W x 35"3/8D x 30"H
- B) 70"7/8W x 35"3/8D x 30"H
- C) 78"3/4W x 39"3/8D x 30"H
- D) 86"5/8W x 43"1/4D x 30"H
- E) 97"5/8W x 43"1/4D x 30"H



P&J

