

Air

Design: Daniele Lago



Description

The Air bed is an elegant piece that fits perfectly into any type of interior.

Thanks to the extra-clear tempered glass supports, which are fully transparent, the modern Air bed appears to float on air, filling the bedroom with a great sense of levity.

The essential design of the Air bed, defined by the mentioned extra-clear tempered glass supports and the absence of the bed frame, allows for less space and guarantees greater freedom of movement.

These supports made from tempered glass – six times stronger than normal glass – are fastened to the base with a secure, stable mechanism, making them highly resistant to knocks, heat and temperature changes, and ensuring a long-lasting product.

The Air bed is designed to be functional and freely transformable to fit any space and design.

The fully customizable headboards and bedside tables hook onto any part of the frame, thanks to patented brackets, and can be freely repositioned. Headboards can be customized and accessorized with functional bedside tables and with LED lighting which can be built on the headboard or under the bed base, to further emphasize the iconic, evocative, floating effect. Rear finishes are not available.

Optional accessories available: LED lighting under the bed, LED lighting on the headboard, power unit, dimmer remote control, glass shelves and Materia bedside tables with drawer.

Made in Italy.

Finishes and Materials

Headboard: Ruched fabric (Cat. "B" or "C") and Leather.

Supports: Tempered Glass.

Optional shelves and bedside tables: Polished and Matt Glass or XGlass.

Air

Dimensions

Queen: To fit American Queen size mattress 59"7/8W x 80"D.

King: To fit American King size mattress 76"W x 80"D.

Freestanding base and headboard

A) Queen: 66"1/8W x 83"D x 34"5/8H

King: 82"1/4W x 83"D x 34"5/8H

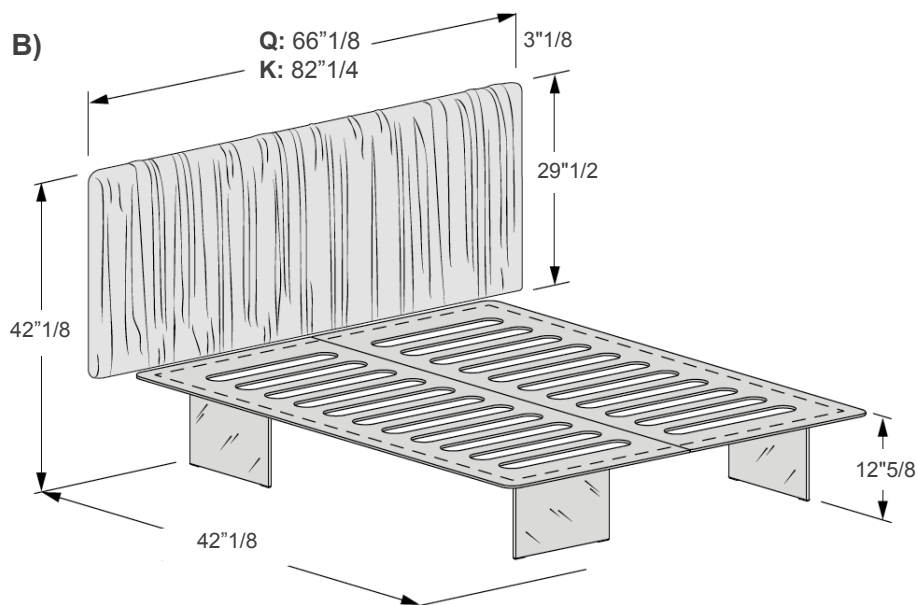
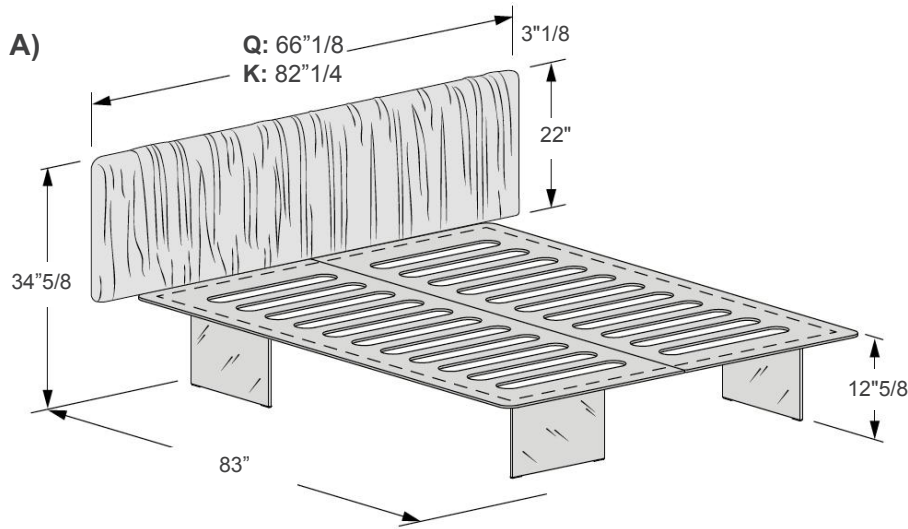
B) Queen: 66"1/8W x 83"D x 42"1/8H

King: 82"1/4W x 83"D x 42"1/8H

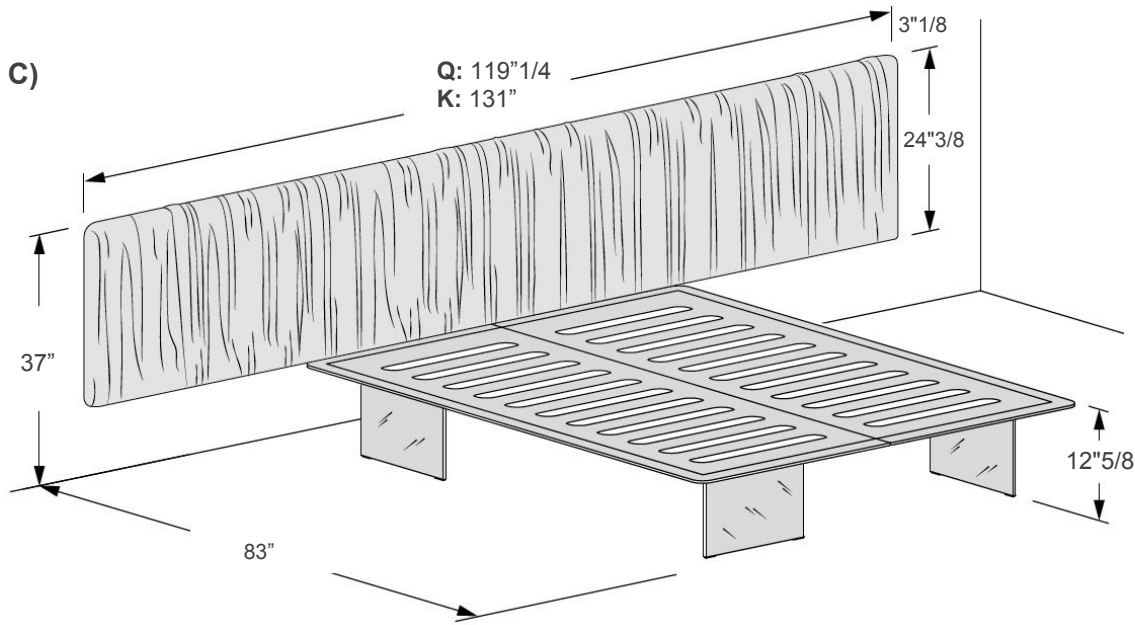
Freestanding base and wall-mounted headrest

C) Queen: 119"1/4W x 83"D x 37"H

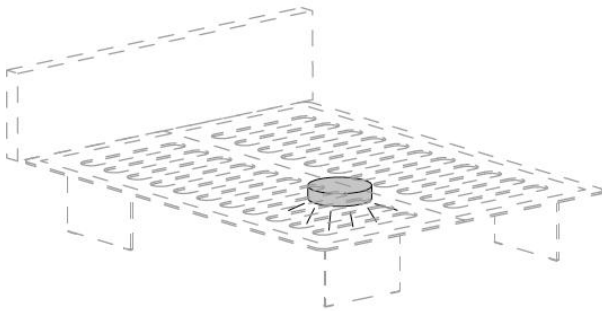
King: 131"W x 83"D x 37"H



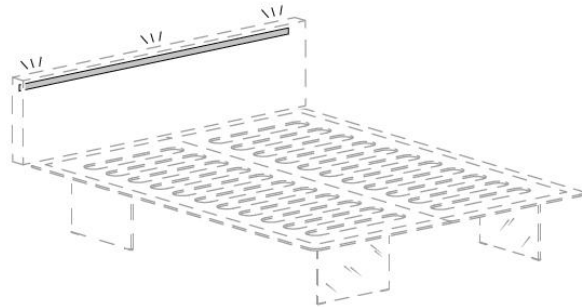
Air



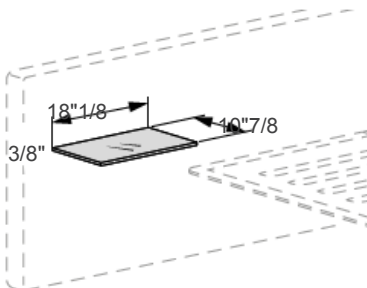
Optional accessories



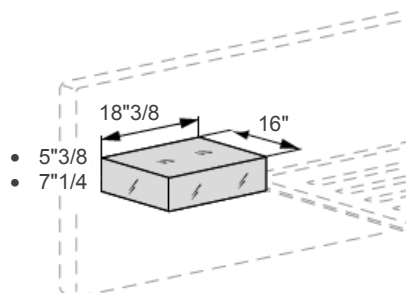
Optional lighting under bed
3000°K LED bulb - 110V - Without switch.



Optional headboard lighting
LED lighting 3.000°K - Power unit not included.
Not available for beds in the middle of the room.
LED support 3/4" thick.
A power unit of 80W with 110V can be added.



Optional glass shelf
18"1/8W x 10"7/8D x 3/8"H
*Available only for "C" sizes.



Optional Matera bedside table with drawer
-18"3/8W x 16"D x 5"3/8H
-18"3/8W x 16"D x 7"1/4H
*Available only for "C" sizes.