

# Stratum

*Design: Daniele Lago*



## *Description*

A table composed of thin layers of material, available with a round or rectangular top that is 3/8" thick. Stratum is a sculptural piece with an extremely strong, slender support of stratified glass (which is 1/2" thick) that let the light filter through, creating effects that change with your point of view. Stratum overcomes the limitations of natural materials, reducing the impact on resources and the environment.

The thin, ultra-strong layers of the Stratum table are made possible by the innovative technology we apply to the glass. The XGlass finish mimics natural materials like marble and wood, enclosed in an ultra-thin sheet.

Made in Italy.

## *Finishes and Materials*

**Top & Support:** Polished and Matt XGlass.

## Stratum

### Dimensions

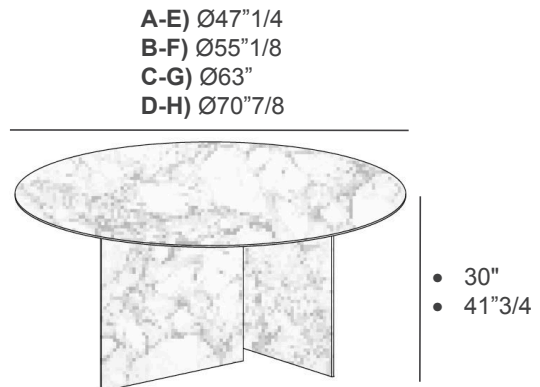
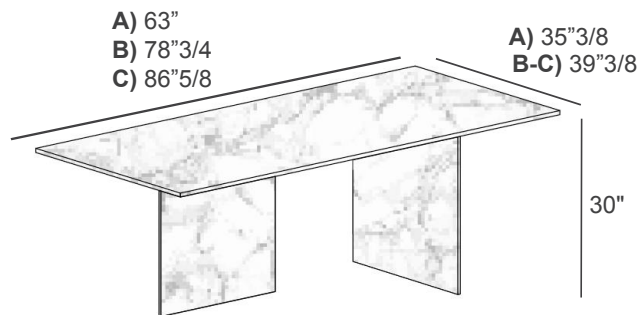
#### Rectangular

- A) 63"W x 35"3/8D x 30"H
- B) 78"3/4W x 39"3/8D x 30"H
- C) 86"5/8W x 39"3/8D x 30"H
- D) 98"3/8W x 47"1/4D x 30"H
- E) 118"1/8W x 47"1/4D x 30"H

#### Round

- A) Ø47"1/4 x 30"H
- B) Ø55"1/8 x 30"H
- C) Ø63" x 30"H
- D) Ø70"7/8 x 30"H
- E) Ø47"1/4 x 41"3/4H
- F) Ø55"1/8 x 41"3/4H
- G) Ø63" x 41"3/4H
- H) Ø70"7/8 x 41"3/4H

#### Version A



#### Version B

