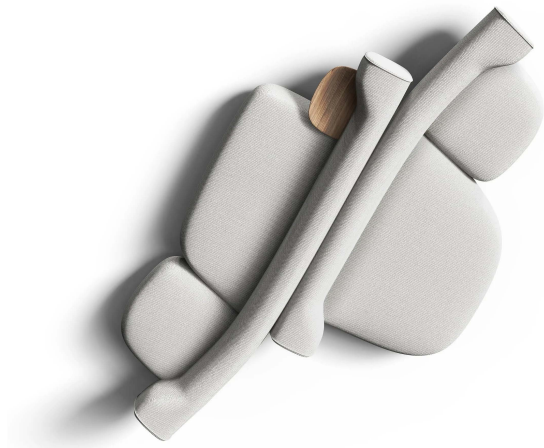


Dorothea

Design: Andrea Steidl



Description

Dorothea's organic shape is inspired by the succulent from which it takes its name, and is an unexpected change from the linear modular sofas we are used to seeing. The nine different modules in the shape of pebbles or petals can be freely combined. The base is concealed, creating the effect of being suspended. Whether in the home or in a public place, every solution is different and original. Made in Italy.

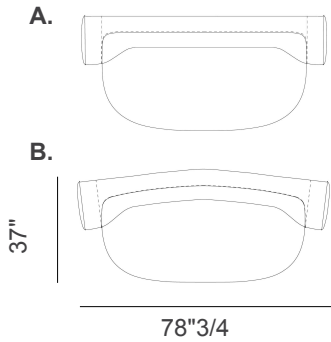
Dimensions

- Comp. 1.** 78"3/4W x 37"D x 27"1/2H (SH: 15"3/4)
- Comp. 2.** 112"1/4W x 37"D x 27"1/2H (SH: 15"3/4)
- Comp. 3.** 112"1/4W x 59"D x 27"1/2H (SH: 15"3/4)
- Comp. 4.** 94"1/2W x 37"D x 27"1/2H (SH: 15"3/4)
- Comp. 5.** 128"W x 59"D x 27"1/2H (SH: 15"3/4)
- Comp. 6.** 112"1/4W x 39"3/8D x 27"1/2H (SH: 15"3/4)
- Comp. 7.** 112"1/4W x 59"D x 27"1/2H (SH: 15"3/4)
- Comp. 8.** 112"1/4W x 59"D x 27"1/2H (SH: 15"3/4)
- Comp. 9.** 128"W x 39"3/8D x 27"1/2H (SH: 15"3/4)
- Comp. 10.** 128"W x 39"3/8D x 27"1/2H (SH: 15"3/4)
- Comp. 11.** 128"W x 59"D x 27"1/2H (SH: 15"3/4)

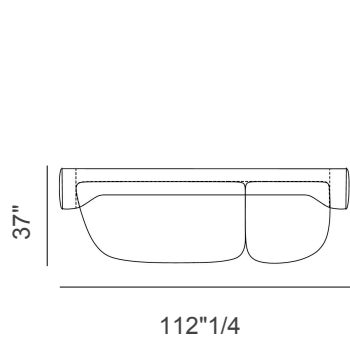
Finishes and materials

Covered in: - Fabric: Cat. A, Cat. B, Cat. C, Cat. Super, Cat. Extra or Cat. Maxi.
- Leather: Cat. Lux or Cat. Imperial

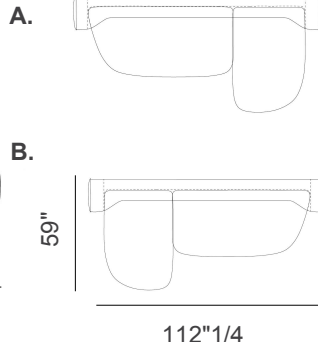
Compositions:



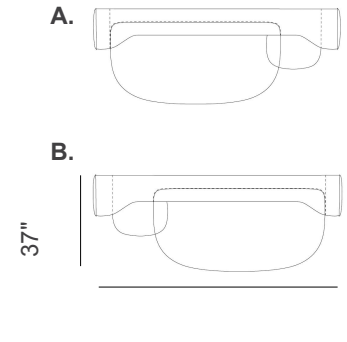
Composition 1



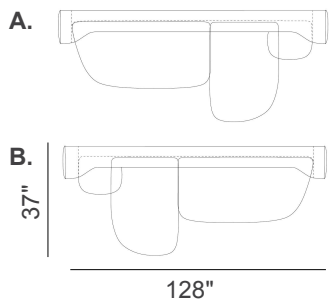
Composition 2



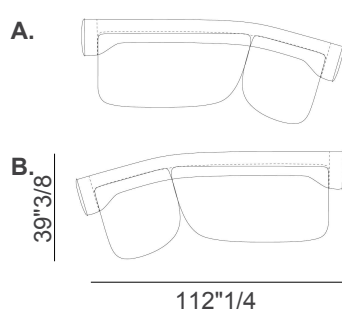
Composition 3



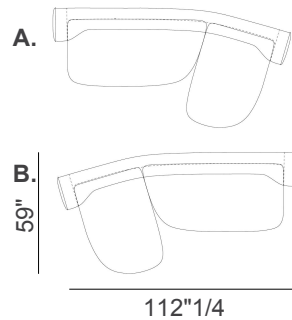
Composition 4



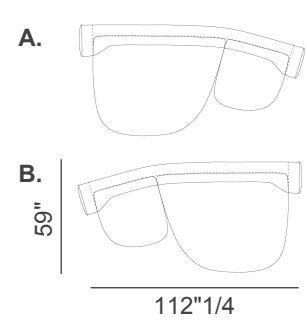
Composition 5



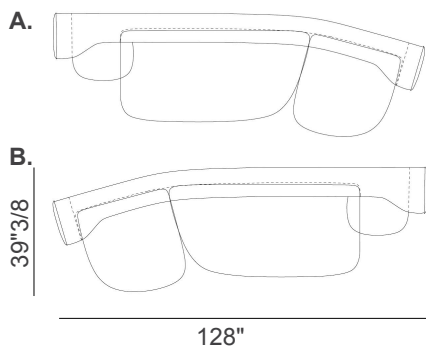
Composition 6



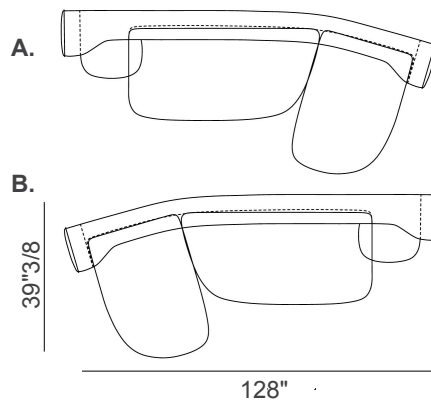
Composition 7



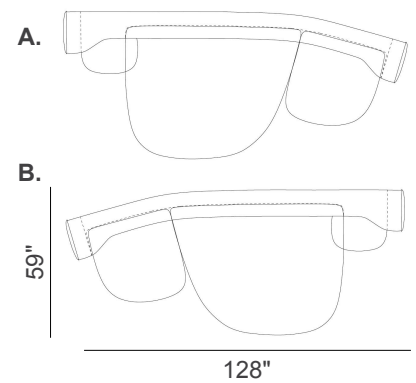
Composition 8



Composition 9



Composition 10



Composition 11