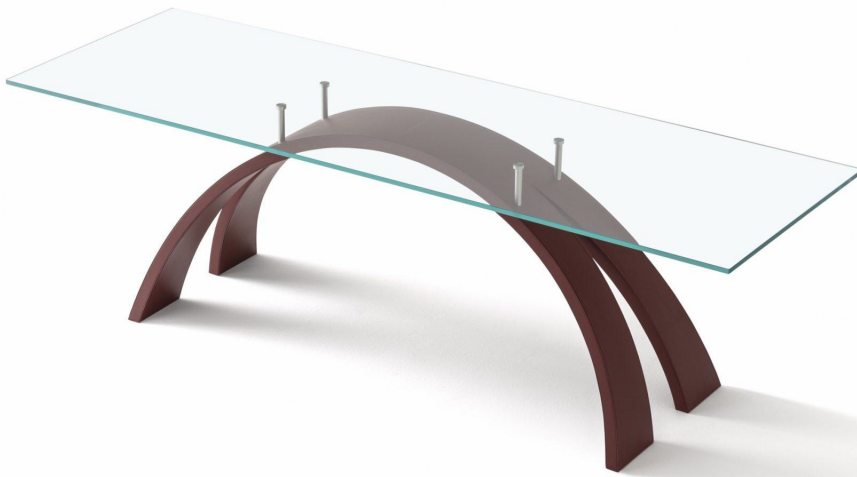


## Archie

*Design: Dario Curatolo*



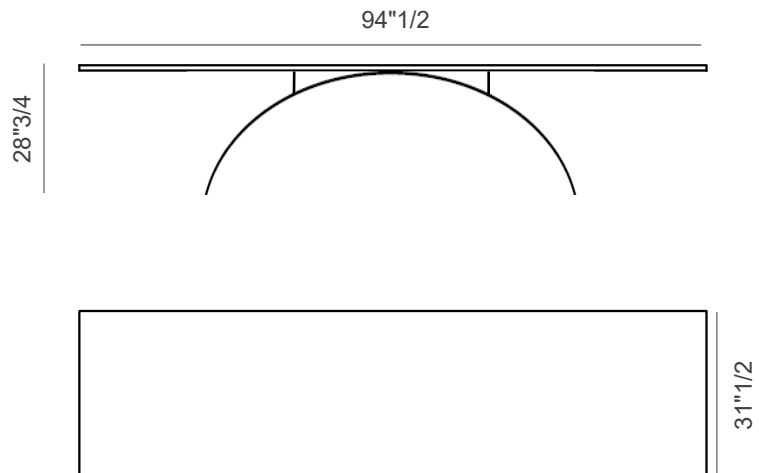
### *Description*

The immaterial entity of Kandinsky's language here becomes the revealer of the structure: four points act as the connection between the plane and the base.

But the point evolves and becomes a line that tells a story, develops and wraps itself in a surface. The surface takes shape and becomes structure, a complex and fascinating structure, a quartic curve. A jazz piece that resonates in the material and suspends the glass top on the base covered in precious leather. The support surface thus becomes the privileged point of view on the world of shapes.

### *Dimensions*

94"1/2W x 31"1/2D x 28"3/4H



### *Finishes & Materials*

**Top:** Glass.

**Base:** Dressed leather.